

Automated Incubators **Small Size Cooling**

STX40 Automated Freezer
STR240 Automated Freezer

-20°C



Small Size Cooling Series

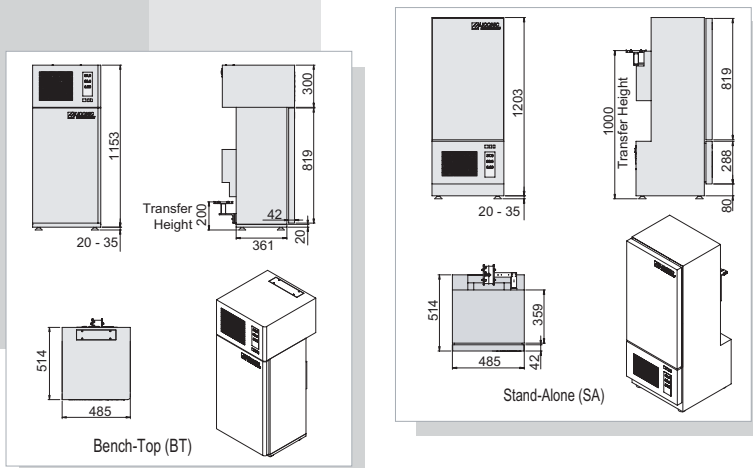
Small Size Cooling Series

STX40 -20°C Automated Freezer

Designed to fit the budget for compound storage ranges from 84...8 plate capacities. The unique footprint makes space constraints an almost non-issue.

Keeping in-line with the other StoreX family units, the highest accuracy and stability over time is maintained by using sensors monitored by the Swiss Office of Metrology and the Swiss Accreditation Services. The small gate and fast access times ensure an extremely stable and reproducible environmental conditions.

With our added software packages you can create your internal inventory for QC issues. Please ask about our new packages.



Capacity		
Plate Type	Plate Height	Plate capacity of unit
NTP (Nanotiter Plates)	5 mm	84
	11 mm	56
1536	12 mm	54
MTP (Microtiter Plates)	17 mm	44
	22 mm	34
	23 mm	34
	24 mm	34
	27 mm	30
DWP (Deep Well Plates)	44 mm	20
	53 mm	16
DiTi200	66 mm	14
DiTi1000	104 mm	8

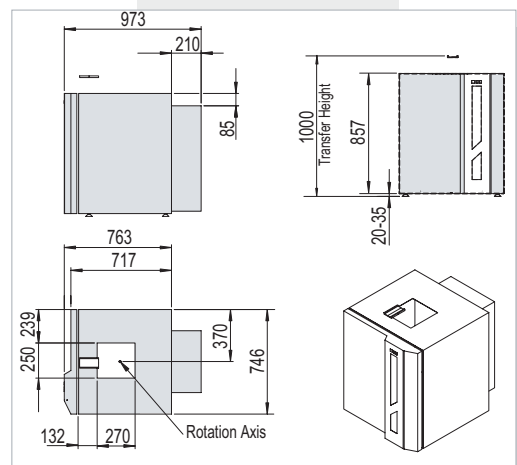
	Order Nr.
STX40-BTDF	9118 12 39
STX40-SADF	9118 12 38

STR240 -20°C Automated Freezer

The STR is the most versatile incubator in the market. Fits underneath any work-station or liquid handling system. Reduces your bottlenecks by 50%, when using multiple plate transfer nests. You optimise your budget because you do not have to buy extended or articulating robotic arms. 240 Plate capacities in such a foot print is cutting edge technology.

Capacity		
Plate Type	Plate Height	Plate capacity of unit
NTP (Nanotiter Plates)	5 mm	462
	11 mm	308
1536	12 mm	297
MTP (Microtiter Plates)	17 mm	240
	22 mm	187
	23 mm	187
	24 mm	187
	27 mm	165
DWP (Deep Well Plates)	44 mm	110
	53 mm	88
DiTi200	66 mm	77
DiTi1000	104 mm	44

	Order Nr.
STR240-DF	9122 05 29



The periscope delivery shovel presents the plate to the top of the work surface. With work space at a premium, the STR will save valuable space for other components above your system and gives you a more aesthetically pleasing compact appearance. All this without sacrificing price.

With our added software packages you can create your internal inventory for QC issues. Please ask about our new packages.