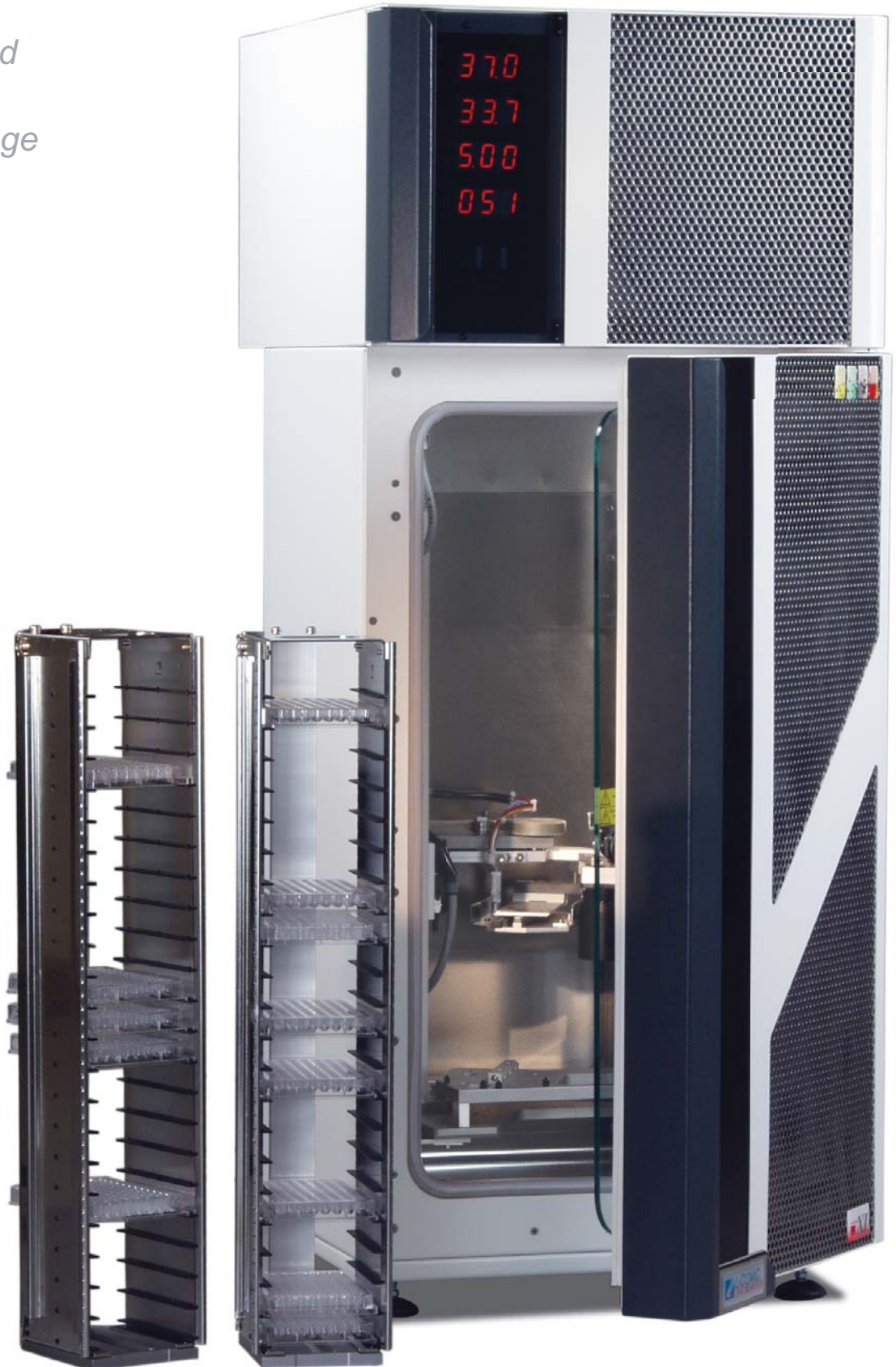


New StoreX Series

*Most Reliable and
Best Serviceable
Automated Storage*



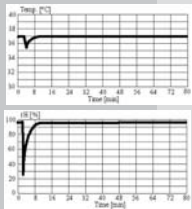
The New StoreX Series

STX40

- New Module Slide
- Service Port
- Total Access Cover for Refrigeration
- Serial Interface
- Bi-Directional Communication
- Universal Serial Bus (USB)
- Ethernet Connection (TCP/IP)

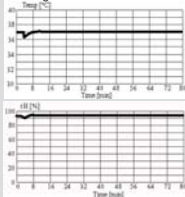


Highest accuracy and stability over time is maintained by using sensors monitored by the Swiss Office of Metrology and the Swiss Accreditation Service.



Access through full-sized user door

Access through the small robotic gate



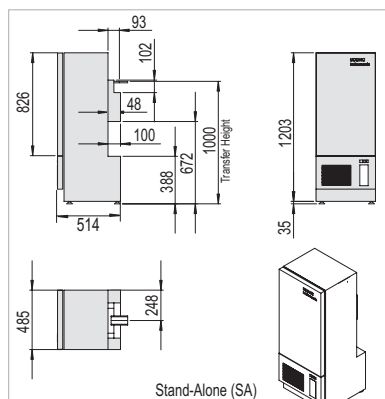
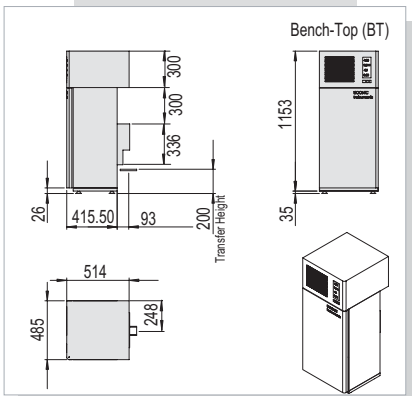
Stable and reproducible climate conditions are the key to success in modern screening applications.

The small StoreX 40 transfer-gate guarantees extremely stable and reproducible environmental conditions for your assays. Fastest recovery times allow frequent plate loading and unloading.

Climate Options			
STX40-IC	33..50°C (70°C)	~95%	Incubator
STX40-HC	04..25°C	~90%	Humid Cooler
STX40-DC	04..25°C	~5%	Dry Cooler
STX40-HR	04..50°C (70°C)	90..95%	Humid Wide Range
STX40-DR	04..50°C	<5%	Dry Wide Range
STX40-AR	04..25°C	20..90%	Adjustable Humidity Cooled
STX40-IC2	33..50°C (70°C)	20..95%	Adjustable Humidity Heated
STX40-HT	Tmax.20°C	NA	High Temperature
STX40-DF	-	-	Deep Freezer

Options	STX 40 IC	STX 40 DC	STX 40 HC	STX 40 HR
Standard up to 50 mm Plate Height	x	x	x	x
16-Bit Digital Climate Controller	x	x	x	x
Easy Clean Option	x	x	x	x
Shaker Option	x	x	x	x
NMC Motor Technology	x	x	x	x
2xHigh speed handling (20s)	x	x	x	x
Gassing Options	x	x	x	x
BCR PP Sensing	x	x	x	x

Integration
For maximum flexibility the StoreX 40 is available in stand-alone (top transfer gate) or bench-top (bottom transfer gate) versions. The easily accessible transfer station and a standard RS232 connection ensure simple integration into an environment.



Capacity		
Plate Type	Plate Height	Plate capacity of unit
NTP (Nanotiter Plates)	5 mm	84
	11 mm	56
1536	12 mm	54
	17 mm	44
	22 mm	34
	23 mm	34
MTP (Microtiter Plates)	24 mm	34
	27 mm	30
	44 mm	20
DWP (Deep Well Plates)	53 mm	16
	66 mm	14
DiTi200	104 mm	8