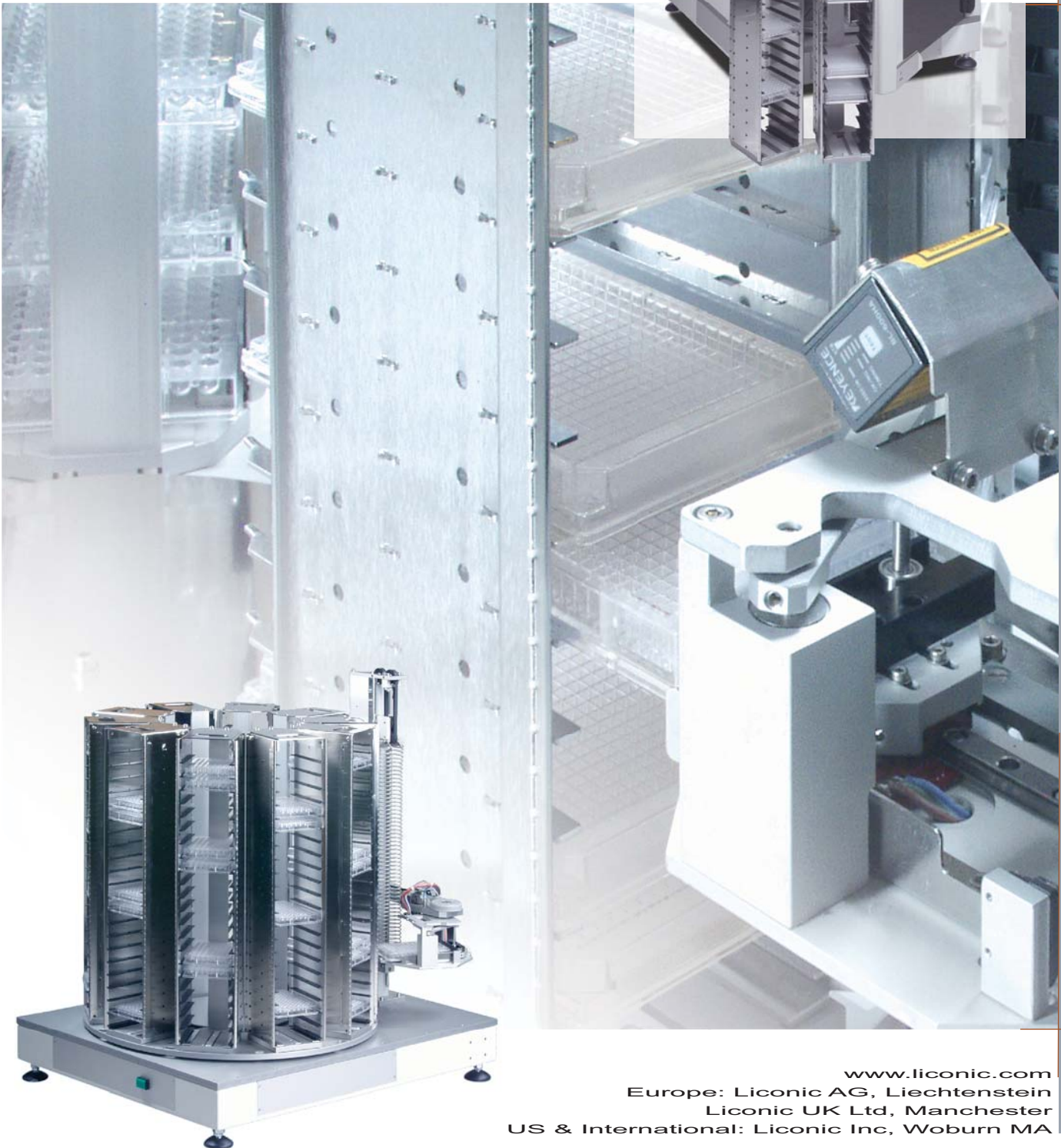


LPX Plate Hotel

LPX220

Four different orientations
New handling with higher speeds
Ideal for mixed plates applications



LPX220 Series

LPX220

The LPX220 is the successor of the legacy 189 plate capacity MPH (Micro Plate Hotel). Some of its improvements are the LPX220's increased 220 MTP capacity, its faster access speed and its much higher flexibility for integration. In fact, the LPX220 can be integrated in four different orientations. Left, right, back and side access is made possible by one single system.



	Order Nr.
LPX220	9144 00 50

Capacity

Plate Type	Plate Height	Plate capacity of unit
NTP (Nanotiter Plates)	5 mm	420
	11 mm	280
	12 mm	270
	17 mm	220
	22 mm	170
MTP (Microtiter Plates)	23 mm	170
	24 mm	170
	27 mm	150
DWP (Deep Well Plates)	44 mm	100
	53 mm	80
DiTi200	66 mm	70
DiTi1000	104 mm	40

Options

	Order Nr.
Transfer Station Location Case A	9144 00 91
Transfer Station Location Case D	9144 00 53
Transfer Station Location Case B	9144 00 54
Bar Code Reader option	9118 11 03
Plate Presence Sensor	9121 00 62
Disposal Tips for upgrade kit up to 100 mm height	9118 12 23
Fast access for time critical applications	9111 10 00
Linear Shaker	9144 00 59
Housing	9144 00 55
Cover Protection with integrated Door for manual access	9144 00 56
UCI Universal Communications Interface	9118 11 17

The newly developed handling with higher speed is used in the LPX220. The use of a spring balanced lift mechanism instead of counter weight optimised speed and reliability of the instrument.

The LPX220's 220 MTP capacity makes it perfectly suitable for most integrations. Its compact size and its capacity make it also ideal for mixed plates applications. Various options like shaker, BCR, housings and more accessories, like various cassettes and transfer stations, are available. For details please refer to www.liconic.com.

Accessories

	Order Nr.
Standard MTP cassette, 22 levels, pitch=23mm	9111 05 00
Deep-well cassette, 10 levels, pitch=50mm	9111 05 42
Custom Size cassette, nn levels, mm pitch (specify plate height)	9118 12 31
MTP cassette, 22 levels, pitch=23mm, all stainless steel	9118 12 26
Deep-well cassette, 10 levels, pitch=50mm, all stainless steel	9118 12 27
Custom Size cassette, nn levels, mm pitch, all stainless steel	9118 12 33
Standard Transfer Station with integrated plate detection sensor	9118 02 75
90 degree turn station, rotates plate from portrait to landscape	9118 00 59
Swap transfer station with plate buffer function	9118 11 00
Slide transfer station for extended transfer reach motor up (170mm)	9111 12 28
Slide transfer station for extended transfer reach (300mm)	9111 07 81
Custom size slide transfer station (specify transfer reach 270 - 1000mm)	9118 12 30

