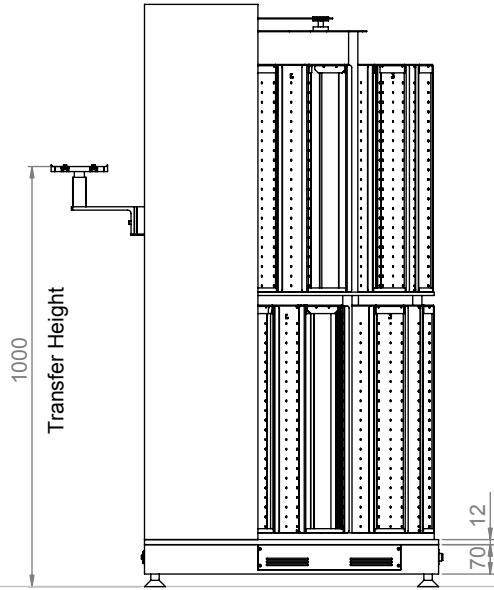


1356

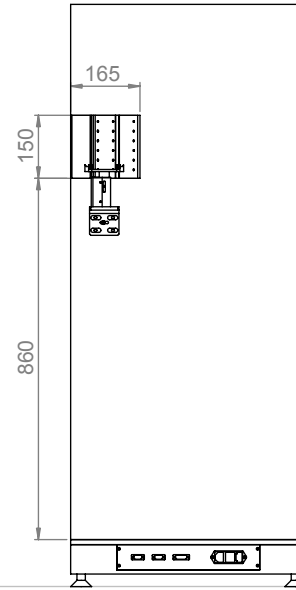
20-35



1000

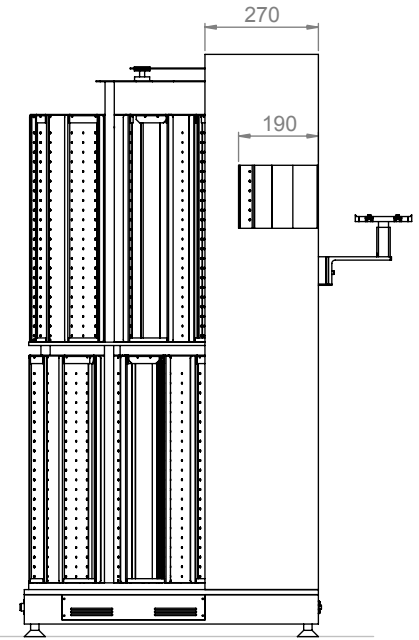
Transfer Height

70
12



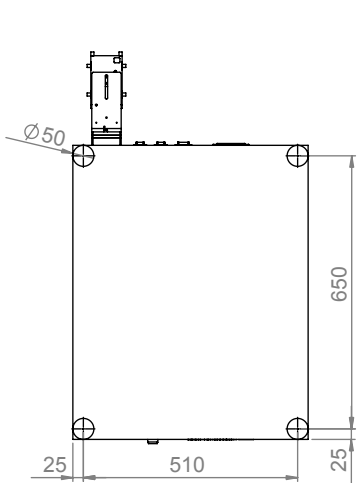
165
150

860



270

190



Ø50

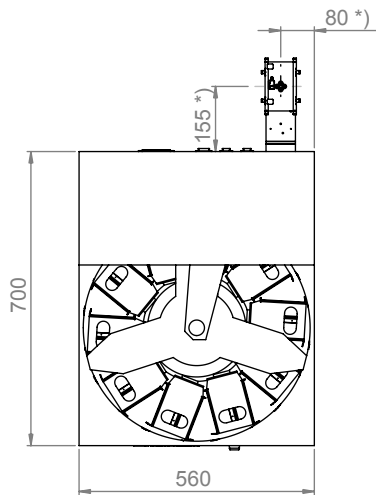
650

25

510

25

Bottom



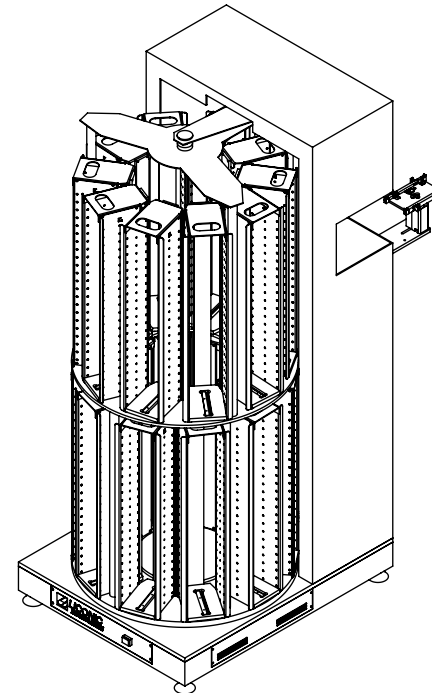
700

560

155 *

80 *)

Top



Liconic AG

LPX440 Housing
Case G

*) value may vary depending on handling position within chamber