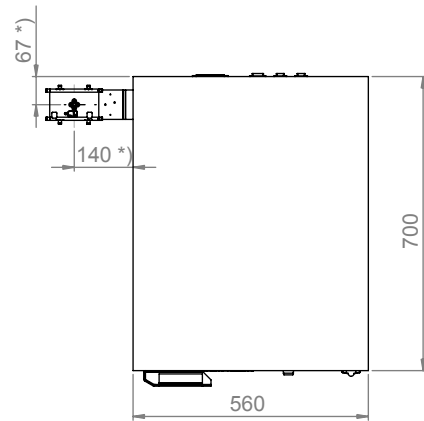
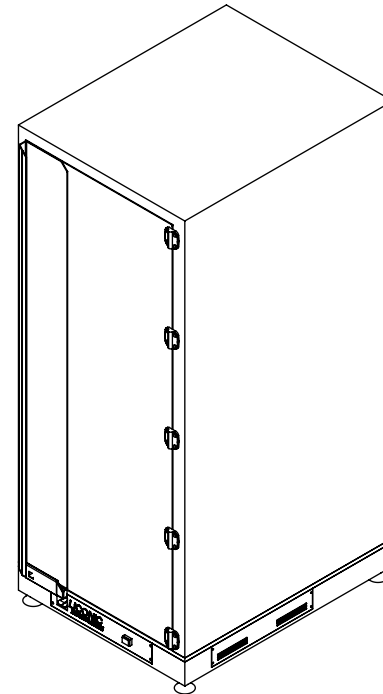


Bottom



Top



Liconic AG
LPX440 Cover Protection
Case E

*) value may vary depending on handling position within chamber