

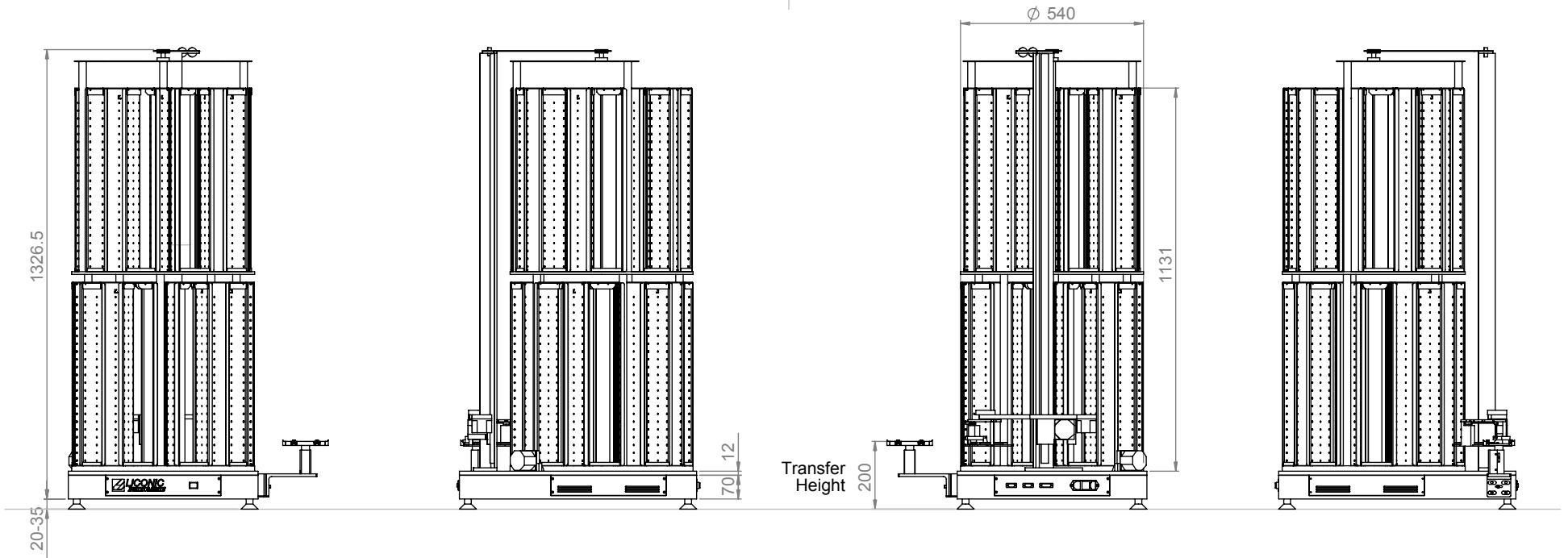
1 2 3 4 5 6

A

A

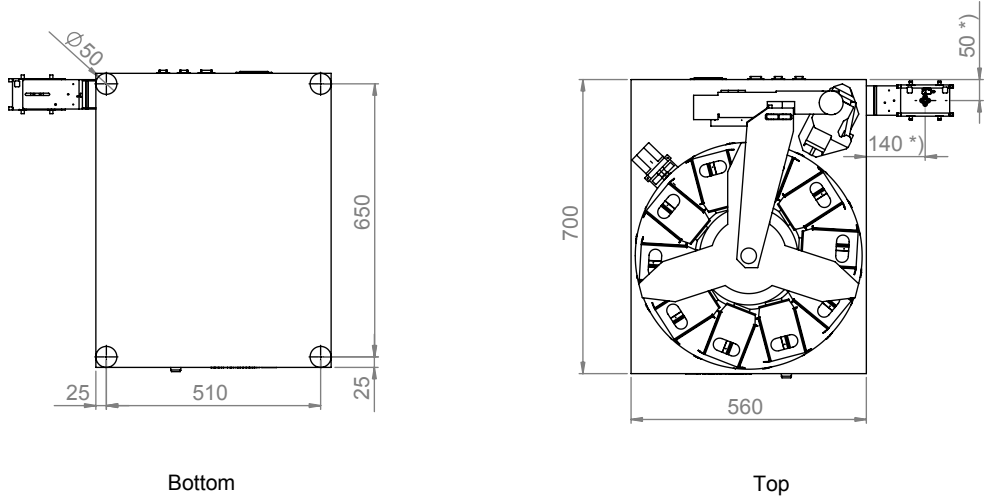
B

B



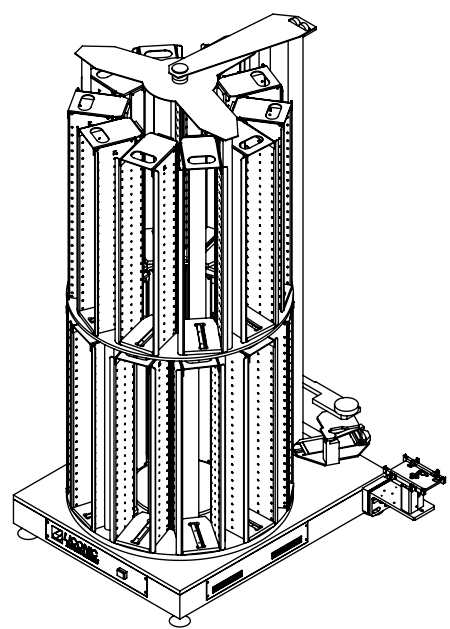
D

C



Bottom

Top



Liconic AG
 LPX440
 Case D

*) value may vary depending on handling position within chamber

1