

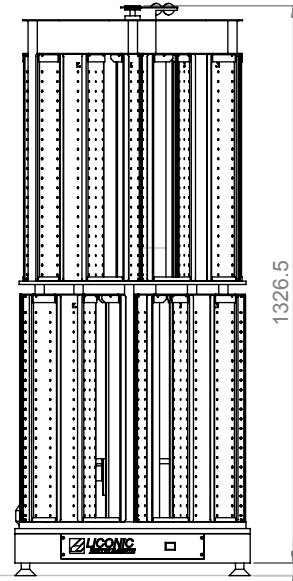
1 2 3 4 5 6

A

B

A

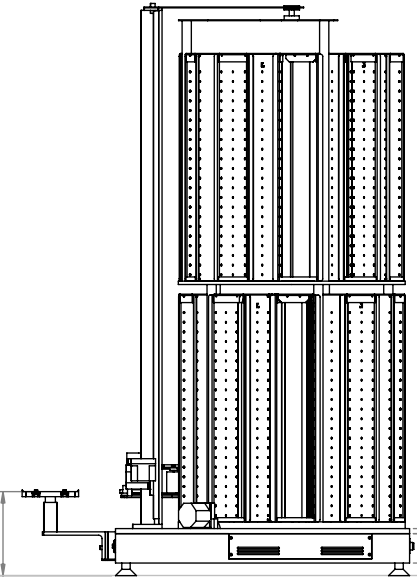
B



1326.5

20-35

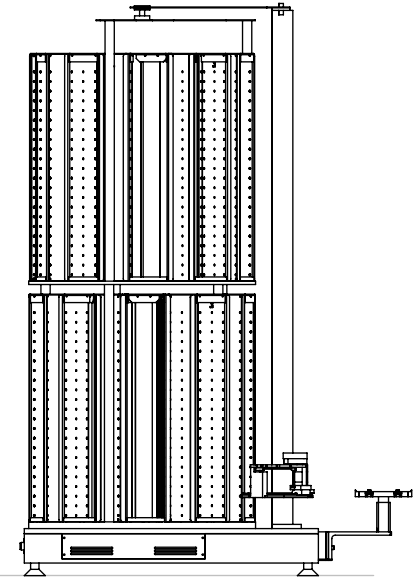
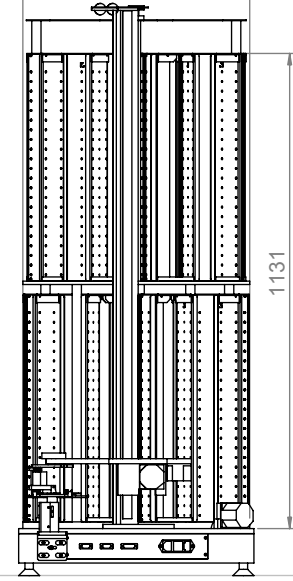
Transfer Height 200



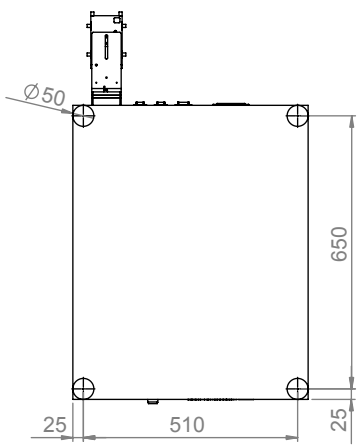
70 12

Ø 540

1131



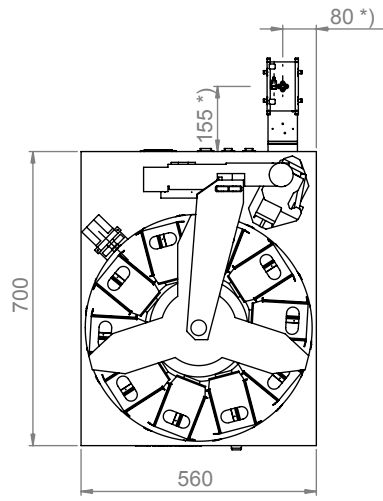
C



650

25 510 25

Bottom



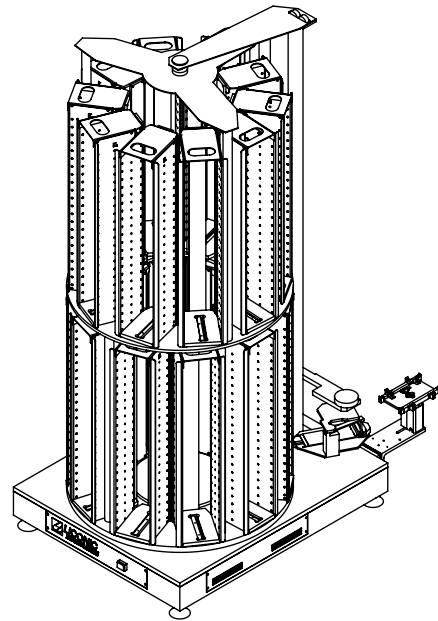
80 *

155 *

700

560

Top



Liconic AG

LPX440
(Case C)

**) value may vary depending on handling position within chamber*

1