

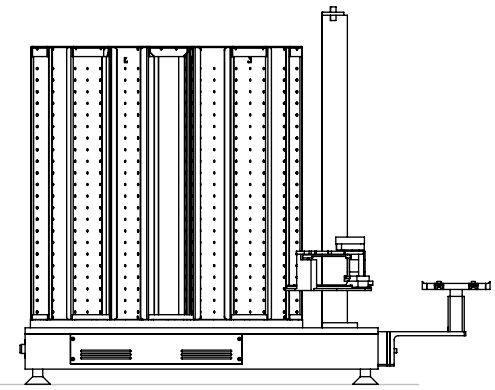
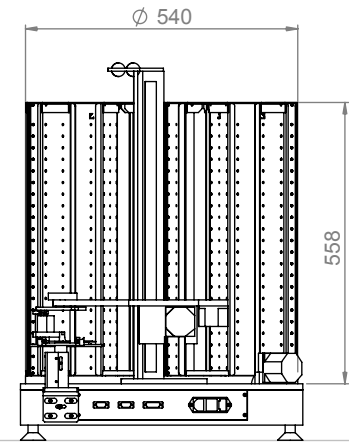
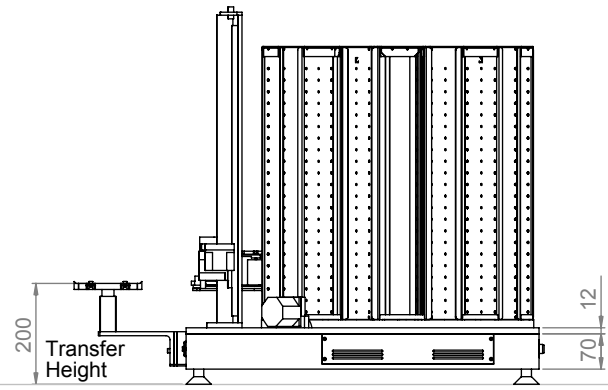
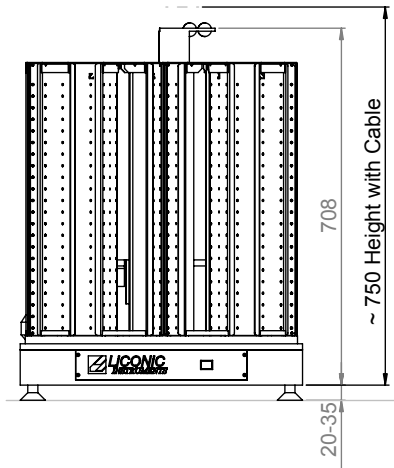
1 2 3 4 5 6

A

A

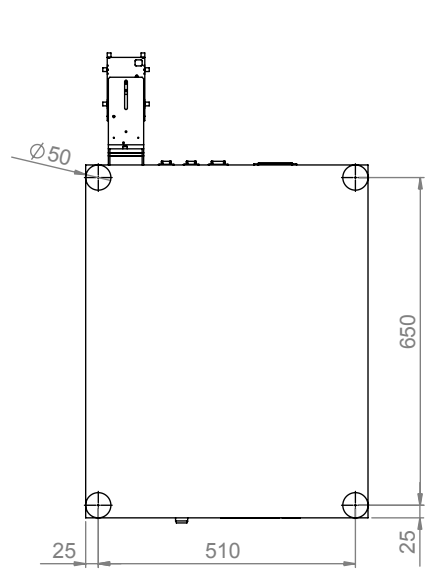
B

B

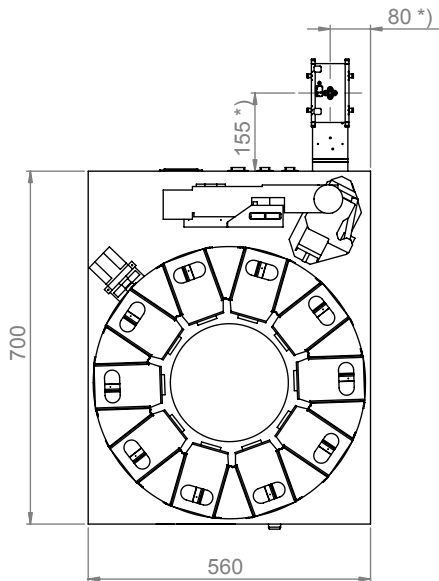


D

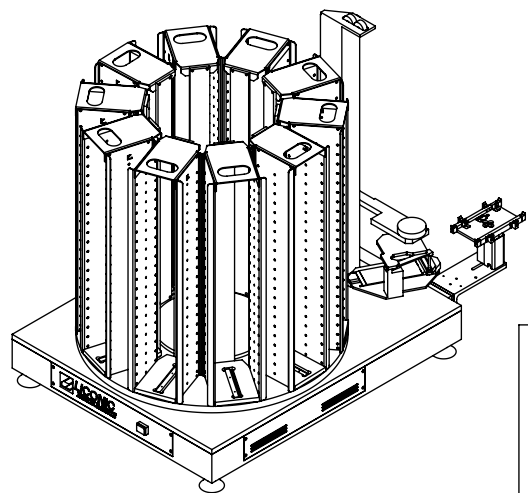
C



Bottom



Top



Liconic AG

LPX220
(Case C)

*) value may vary depending on handling position within chamber

1