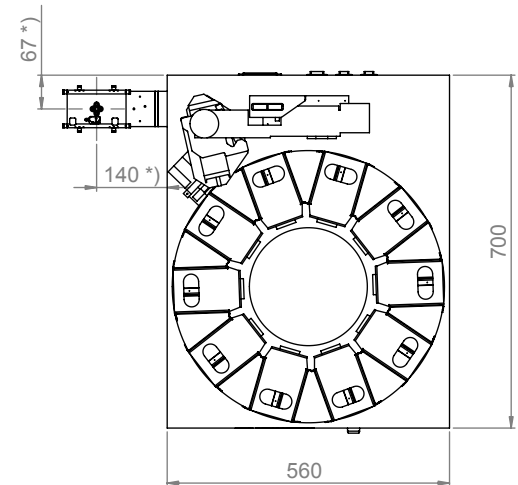
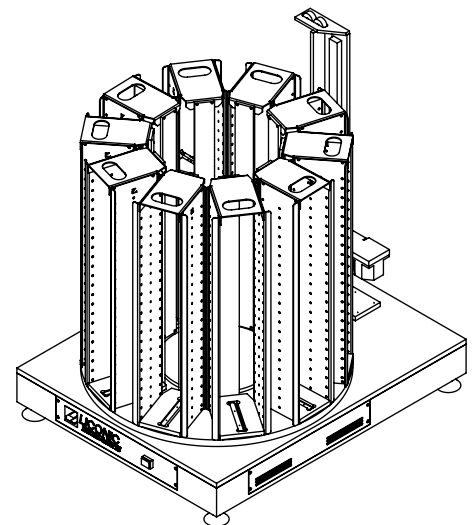


Bottom



Top



Liconic AG

LPX220
Case A

*) value may vary depending on handling position within chamber