

STR Periscope **STR602**

*Multiple Gate Locations
Adjustable Humidity
MTP and Limbro Compatible*



STR602 Series

STR602

The STR602 is ideal for protein crystallization work because the carousel can be stationary with the Star concept allowing the inner rotation the only moving part, reducing vibration and movement of the samples.

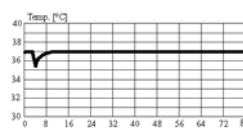
While allowing full remote access on handling and climate functions, you still are able to manually access to cassettes located in the back of the incubation chamber the integrated carousel maybe positioned automatically or be rotated manually.

By using the Star concept it allows maximum capacity and configuration. The delivery gear can be on the rear right/left or in rear center. This allows the unit to be positioned in the desired location

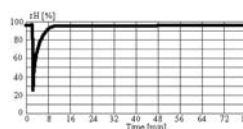
Climate Options

| Type | Temperature | Humidity | Description | Order Nr. |
|-----------------------------|------------------------|----------|---------------------|------------|
| STR602-IC | 33..50°C (70°C) | max. 95% | Incubator | 9141 01 79 |
| STR602-HC ¹⁾ | 04..25°C | max. 90% | Humid Cooler | 9141 01 80 |
| STR602-DC2 ^{1) 3)} | 04..25°C | 04..50% | Dry Storage | 9141 02 27 |
| STR602-HR ¹⁾ | 04..50°C (70°C) | 90..95% | Humid Wide Range | 9141 01 81 |
| STR602-DR ^{1) 3)} | 04..50°C | 02..50% | Dry Wide Range | 9141 02 12 |
| STR602-AR ^{1) 2)} | 04..50°C | 10..95% | Humidity Controlled | 9141 02 26 |
| STR602-DF ¹⁾ | -20..0°C ⁴⁾ | 02..45% | Deep Freezer | 9141 01 83 |
| STR602-NC | - | - | No Climate | 9141 02 30 |

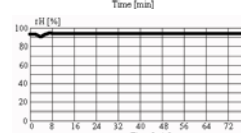
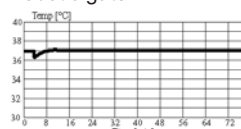
1) Humidity depends on temperature setting / 2) Humidity Adjustable / 3) Adjustable dehumidification / 4) up to +20°C on request



Access through the small robotic gate



Access through full-sized user door

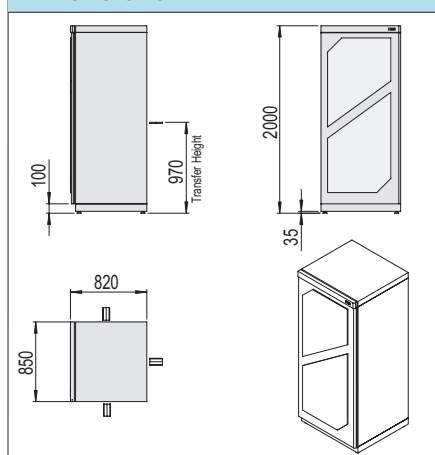


Options

| | Order Nr. | Gassing Option | Order Nr. |
|--|------------|-------------------------------|------------|
| High temperature 70°C capability | 9122 06 06 | Fast CO2 Gassing Option | 9118 11 12 |
| Bar Code Reader Option | 9122 06 03 | Fast N2 Gassing Option | 9118 11 13 |
| Plate Presence Sensor | 9121 00 62 | Fast O2 Gassing Option | 9118 11 14 |
| Disposal Tips upgrade kit up to 100 mm height | 9118 12 23 | Additional CO2 Gassing Option | 9118 11 07 |
| Fast access for time critical applications | 9122 06 04 | Additional N2 Gassing Option | 9118 11 11 |
| N-Way Decontamination | 9122 05 28 | Additional O2 Gassing Option | 9118 11 08 |
| Liconel self decontaminating incubator chamber | 9141 01 78 | | |
| Proteomics additional inner rotation for plate transport | 9141 01 85 | | |
| Option Linbro Plate Handling | 9141 01 86 | | |
| Side Gate on left side wall | 9141 01 87 | | |
| Side Gate on right side wall | 9141 01 88 | | |
| Linear Shaker, Amplitude 1-100mm, 12-300 rpm | 9141 02 19 | | |
| UCI Universal Communication Interface | 9118 11 17 | | |
| Steam Injection | 9118 11 16 | | |

Like all members of the StoreX Star family the STR602 can be equipped with a large number of further options and a wide selection of useful accessories. For details please visit www.liconic.com.

Dimensions



Capacity

| Plate Type | Plate Height | Plate capacity of unit | |
|------------------------|-------------------------|------------------------|-----|
| NTP (Nanotiter Plates) | 5 mm | 1100 | |
| | 11 mm | 740 | |
| 1536 | 12 mm | 700 | |
| | MTP (Microtiter Plates) | 17 mm | 560 |
| | 22 mm | 460 | |
| | 23 mm | 440 | |
| | 24 mm | 420 | |
| | 27 mm | 380 | |
| | DWP (Deep Well Plates) | 44 mm | 240 |
| | 53 mm | 200 | |
| DiTi200 | 66 mm | 160 | |
| DiTi1000 | 104 mm | 100 | |