

STR Periscope **STR44**

*STR Star Layout
Very Compact Integration
Suitable for Crystallization*

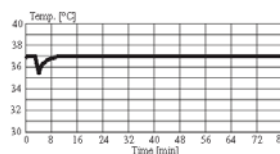


STR44 Series

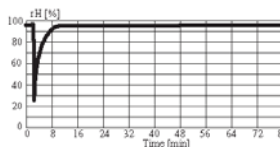
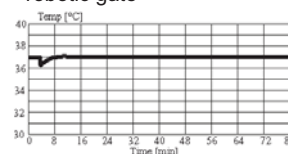
STR44

The STR44 is the smallest member of the STR family. The STR44 has the same width and depth as the STX40. Its 44 MTP capacity make it perfectly suitable of small-scale integration, highly miniaturized applications or short time incubation assays.

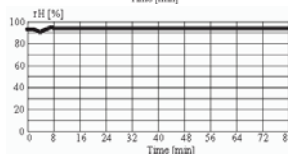
The STR44 is ideal for protein crystallization work because the stationary cassettes with the Star concept allowing the periscope the only moving part, reducing vibration and movement of the samples. While allowing full remote access on handling and climate functions, you still are able to manually access the cassettes and samples through the large front door for loading and unloading your product.



Access through the small robotic gate



Access through full-sized user door



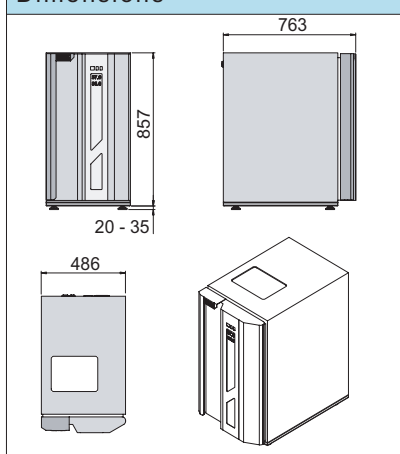
Climate Options				
Type	Temperature	Humidity	Description	Order Nr.
STR44-IC	33..50°C (70°C)	max. 95%	Incubator	9147 00 20
STR44-HC ¹⁾	04..25°C	max. 90%	Humid Cooler	9147 00 21
STR44-DC2 ^{1) 3)}	04..25°C	04..50%	Dry Storage	9118 12 59
STR44-HR ¹⁾	04..50°C (70°C)	90..95%	Humid Wide Range	9147 00 22
STR44-DR ^{1) 3)}	04..50°C	02..50%	Dry Wide Range	9147 00 37
STR44-AR ^{1) 2)}	04..50°C	10..95%	Humidity Controlled	9147 00 38
STR44-DF ¹⁾	-20..0°C ⁴⁾	02..45%	Deep Freezer	9118 12 49
STR44-NC	-	-	No Climate	9147 00 43

¹⁾ Humidity depends on temperature setting / ²⁾ Humidity Adjustable / ³⁾ Adjustable dehumidification / ⁴⁾ up to +20°C on request

Like all members of the StoreX Star family the STR44 can be equipped with a large number of further options and a wide selection of useful accessories. For details please visit www.liconic.com.

Options					
	Order Nr.	Gassing Option	Order Nr.	Shaking Options	Order Nr.
High temperature 70°C capability	9118 11 02	Fast CO2	9118 11 12	Orbital, 1mm Ampl., 600rpm	9118 12 24
Bar Code Reader Option	9118 11 03	Fast N2	9118 11 13	Orbital, 1mm Ampl., 1200rpm	9118 12 25
Plate Presence Sensor	9121 00 62	Fast O2	9118 11 14	Orbital 3mm Ampl., 600rpm	9118 12 41
Disposal Tips upgrade kit up to 100mm height	9118 12 23	Additional CO2	9118 11 07	Orbital 6mm, Ampl., 400rpm	9118 12 42
Fast access for time critical applications	9111 10 00	Additional N2	9118 11 11		
Liconel self decontaminating incubator chamber	9118 12 44	Additional O2	9118 11 08		
UCI Universal Communication Interface	9118 11 17				
N-Way Decontamination	9122 05 28				
Steam Injection	9118 11 16				

Dimensions



Capacity

Plate Type	Plate Height	Plate capacity of unit
NTP (Nanotiter Plates)	5 mm	84
	11 mm	56
	12 mm	54
	17 mm	44
	22 mm	34
MTP (Microtiter Plates)	23 mm	34
	24 mm	34
	27 mm	30
	27 mm	30
DWP (Deep Well Plates)	44 mm	20
	53 mm	16
DiTi200	66 mm	14
DiTi1000	104 mm	8