

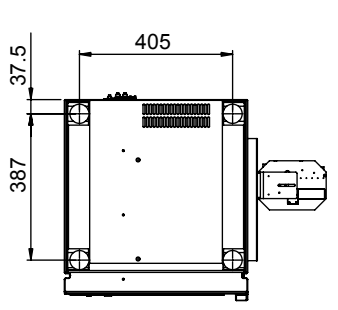
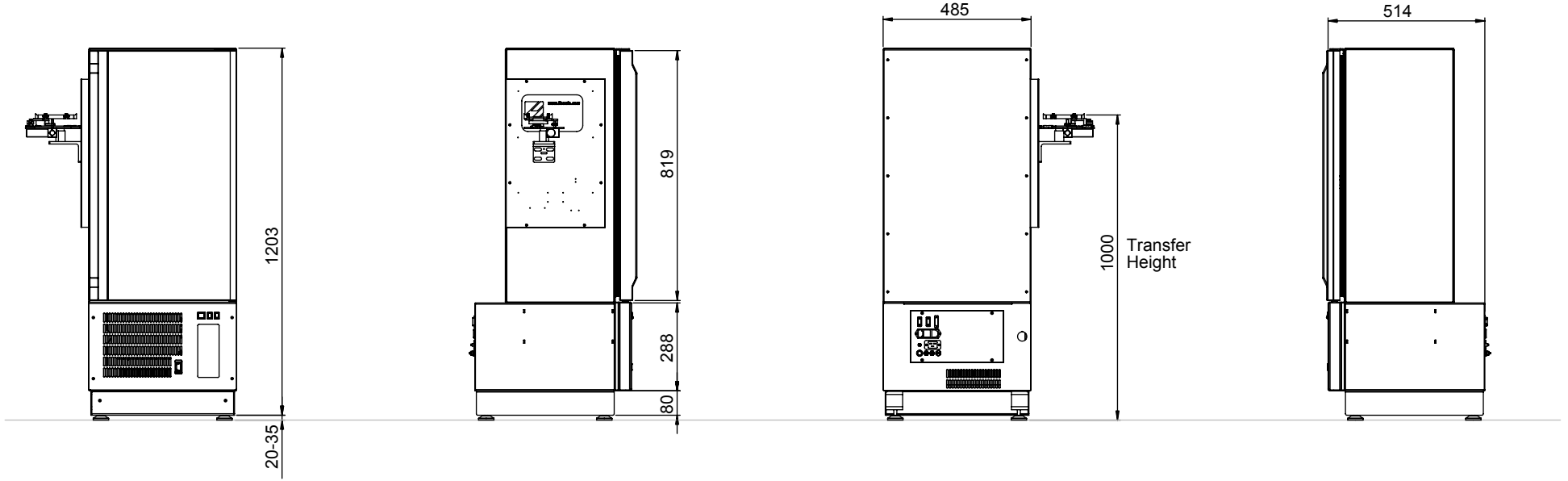
1 2 3 4 5 6

A

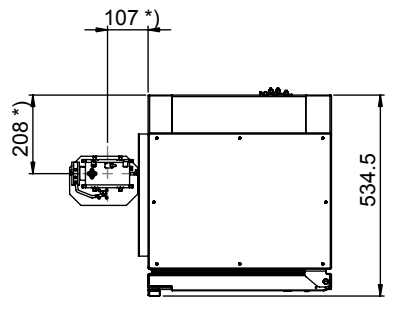
B

A

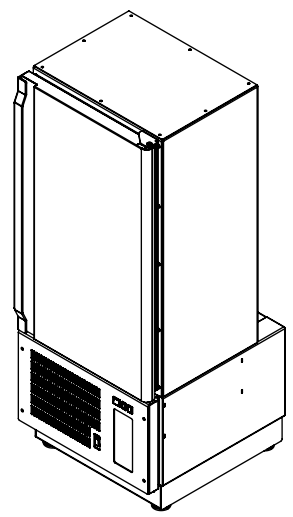
B



Bottom



Top



C

Liconic AG
STX44-SASL

*) value may vary depending on handling position within chamber

1