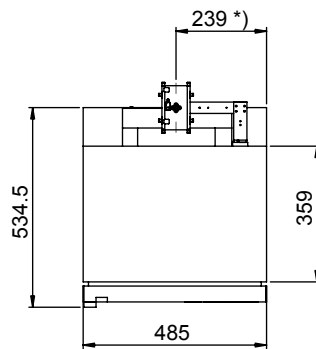
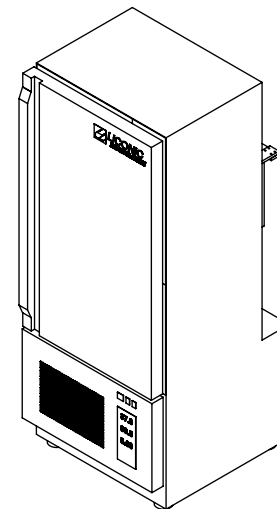


Bottom



Top



Liconic AG

STX44-SA

**) value may vary depending on handling position within chamber*