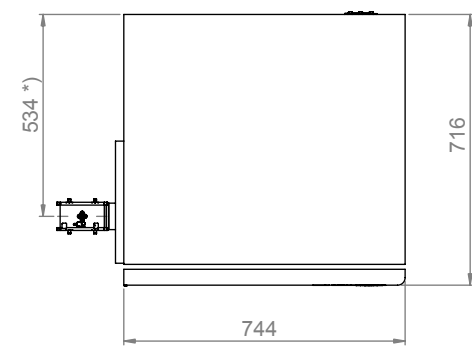
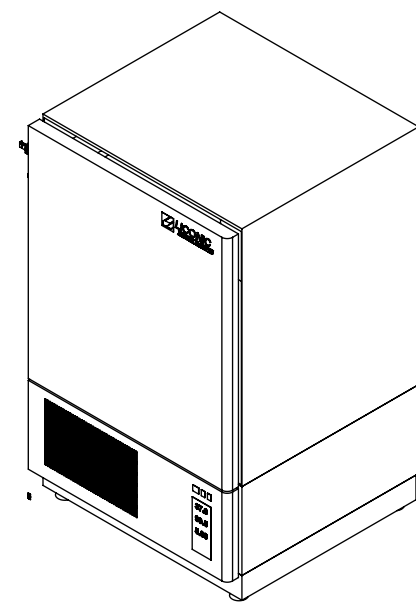


Bottom



Top



Liconic AG
STX220-SASL

*) value may vary depending on handling position within chamber