

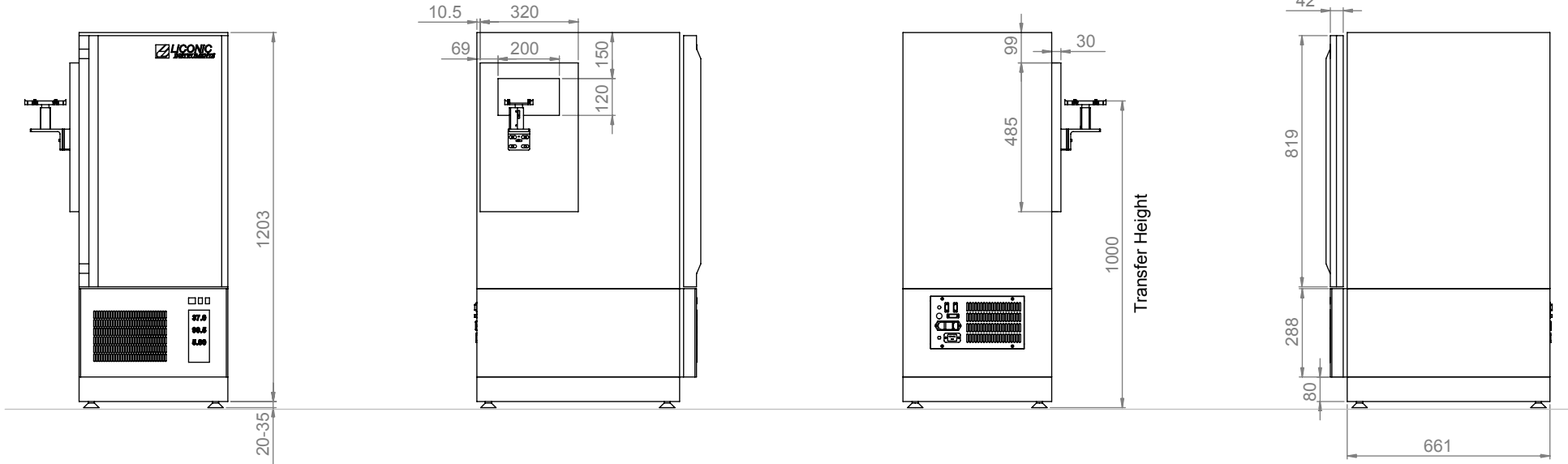
1 2 3 4 5 6

A

A

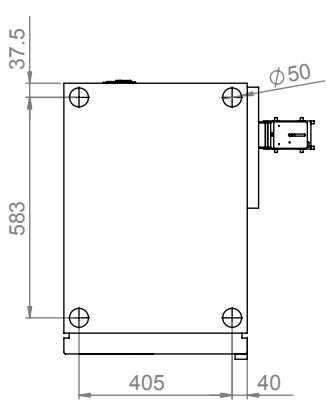
B

B

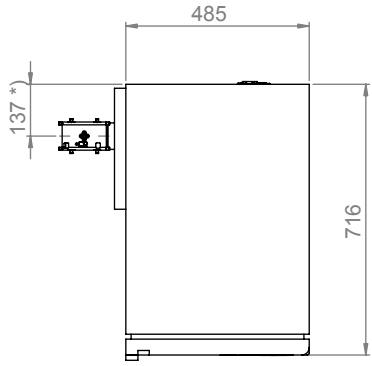


D

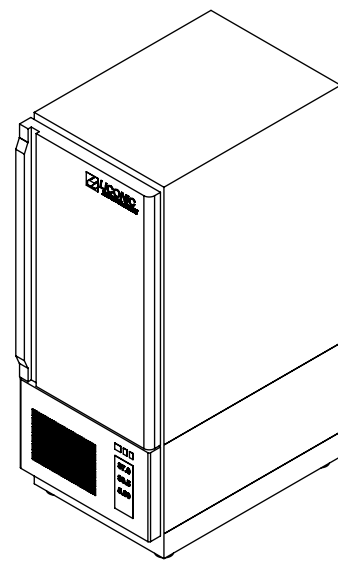
C



Bottom



Top



Liconic AG
STX110-SASL

*) value may vary depending on handling position within chamber