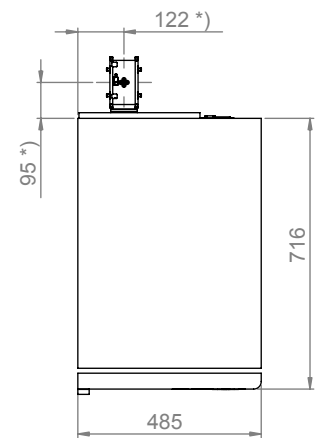
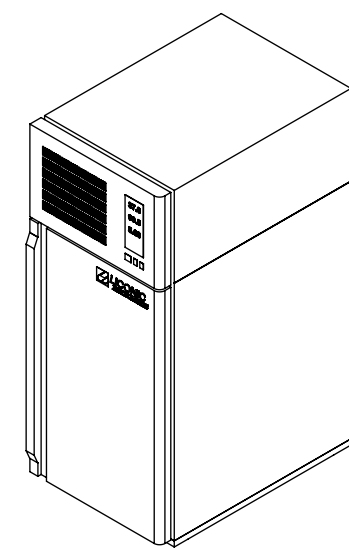


Bottom



Top



Liconic AG
STX110-BT

*) value may vary depending on handling position within chamber