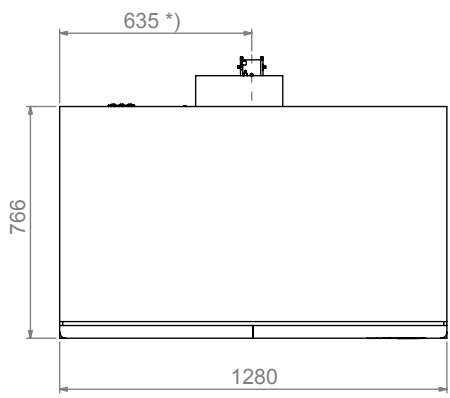
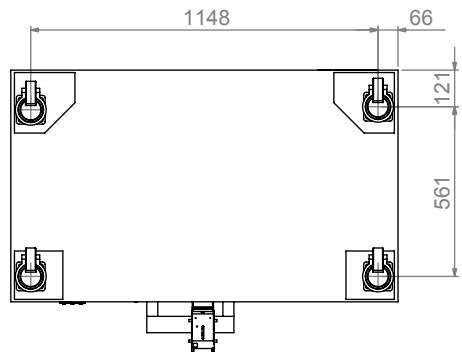


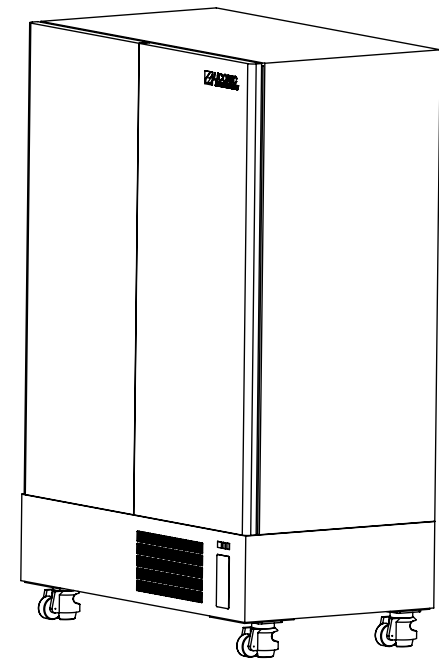
122-138



Top



Bottom



**Liconic AG**  
STX1000-SA

\*) value may vary depending on handling position within chamber