

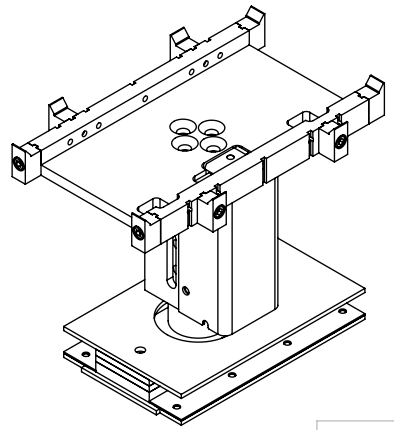
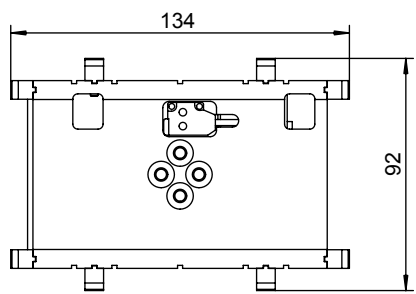
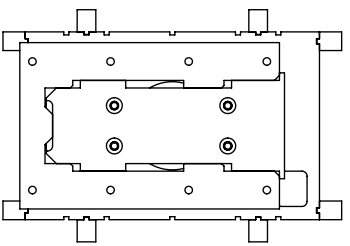
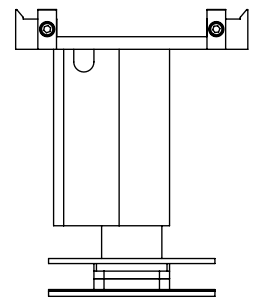
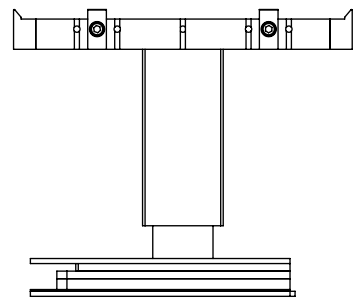
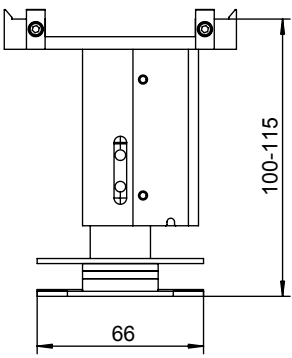
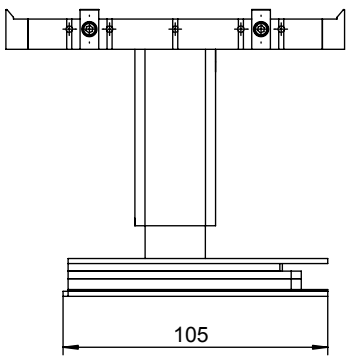
1 2 3 4 5 6

A

A

B

B



C

D

Bottom

Top

**Liconic AG**  
Removable Transfer Station

1