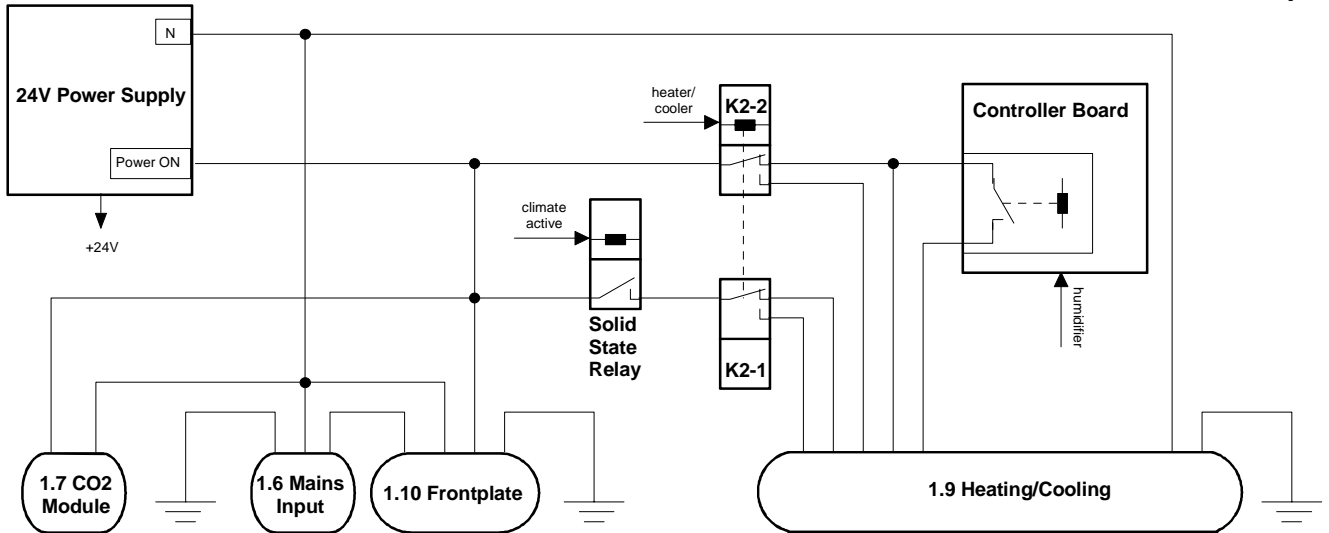
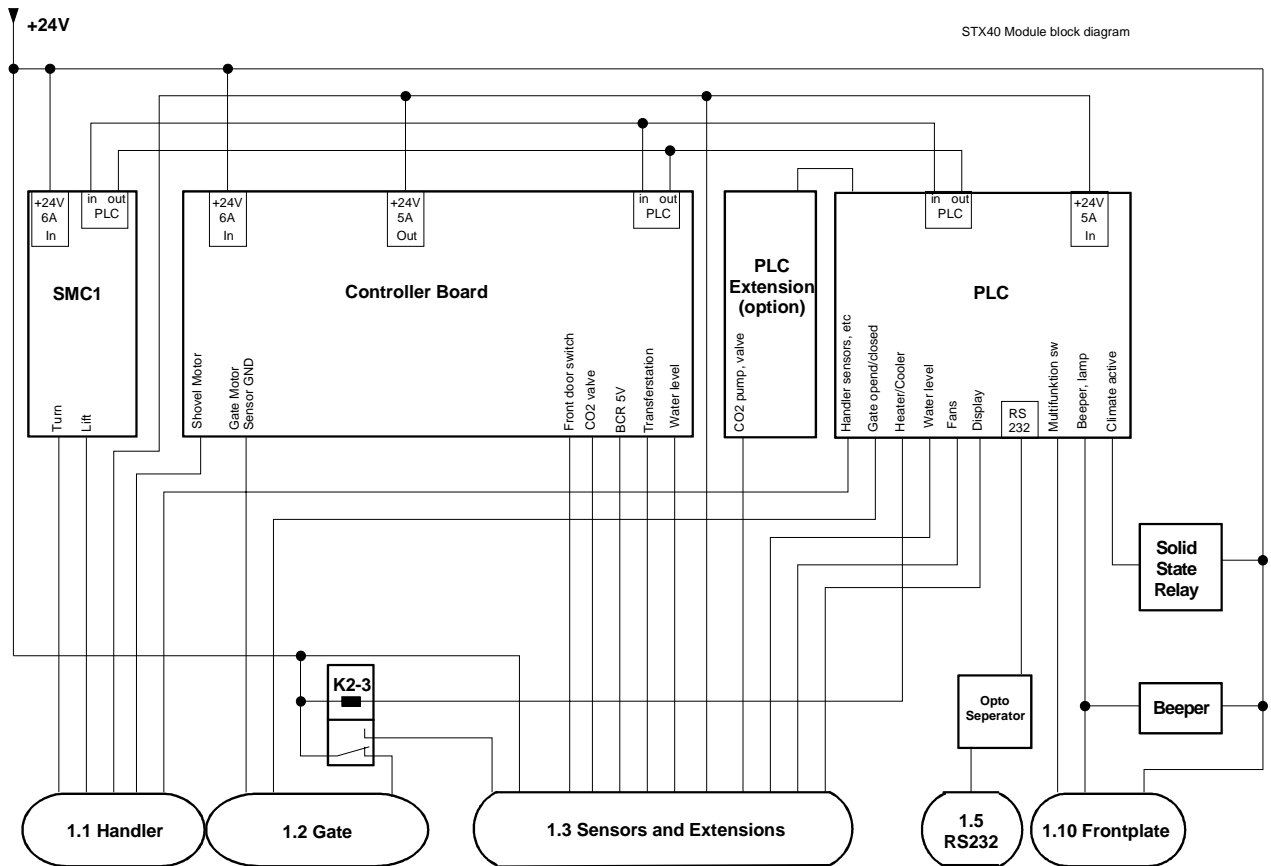


STX Series Module: Block Diagram AC Lines

STX40 Module AC block diagram

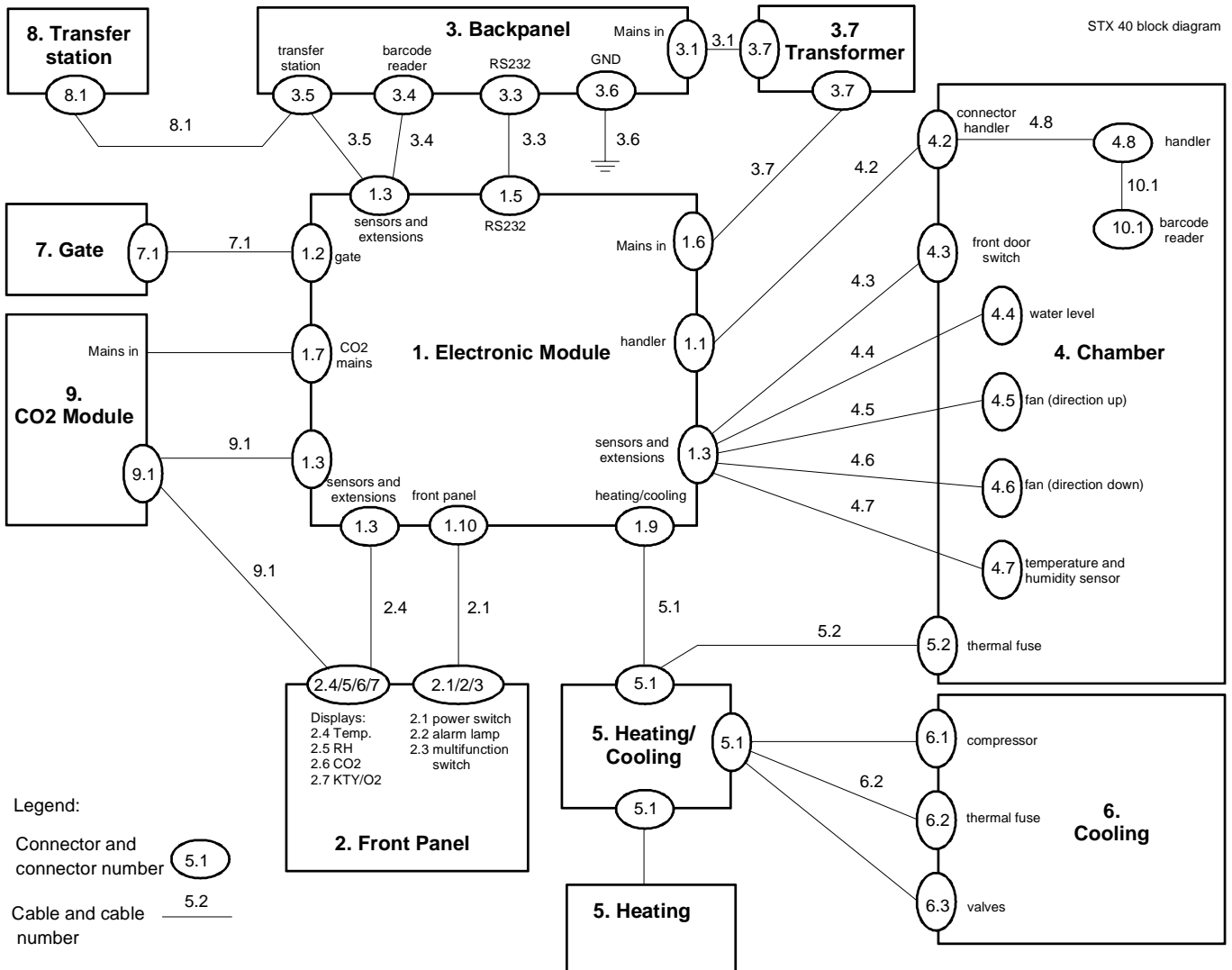


STX Series Module: Block Diagram Signals and 24V Supply



Schematics and Diagrams

STX Series: Block Diagram Connectors and Cables



Connector Panel Numbering

1.xx	Modul
2.xx	Frontpanel
3.xx	Backpanel
4.xx	Chamber
5.xx	Heaters
7.xx	Gate
8.xx	Transferstation
9.xx	CO2 Modul
10.xx	Barcode Reader

Stecker/Buchsen Nominierung:

<u>1.</u> <u>23.</u> <u>45.</u>	
<u>1.</u>	Panel Nbr.
<u>23.</u>	Connector Nbr.
<u>45.</u>	Pin Nbr.