

Options

Docking Shuttle

Features Simple Swap of Units



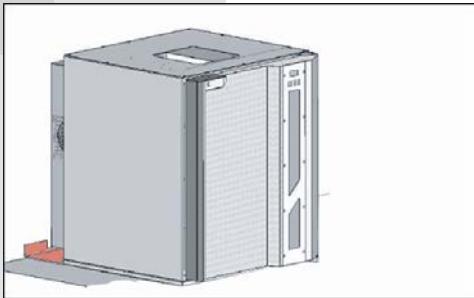
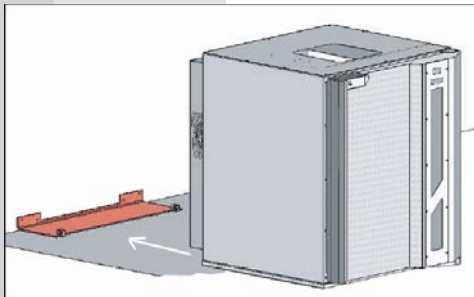
Options

General Information

Docking Shuttle

Lock your StoreX into Place

The Docking Shuttle feature allows multiple usage of one single port on an robotic integrated system. In addition, the Docking Shuttle feature eases service- and maintenance work by facilitating removal of the StoreX unit.


Applicable Units:

STX40-xxSA

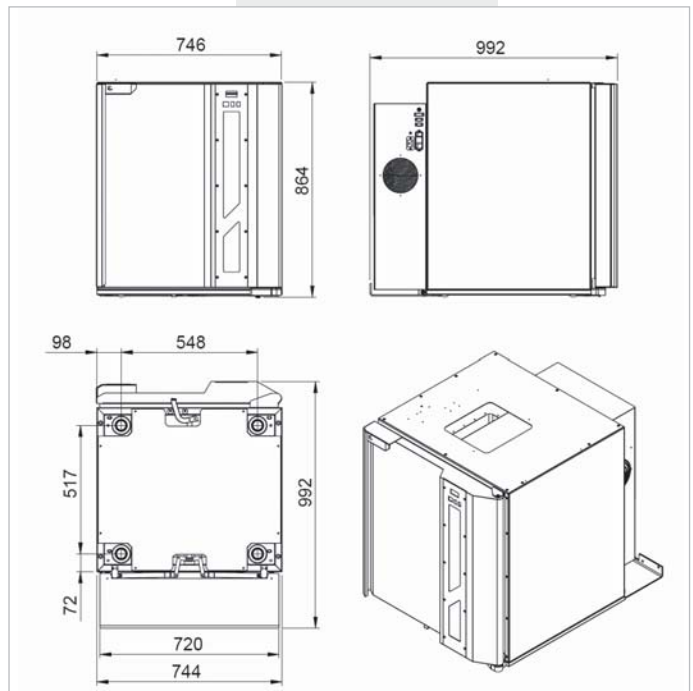
STX110-xxSA

STX220-xxIT

STX220-xxSA

STR44-xxIT

STR240-xxIT

Dimensions


Liconic AG
 Industriestrasse 8
 FI-9493 Mauren
 Principality of Liechtenstein
 Europe

Liconic US, Inc.
 21-F Olympia Ave
 Woburn, MA 01801
 USA

Liconic UK Ltd
 Warren Bruce Court
 Warren Bruce Road
 Trafford Park
 Manchester, M17 1LB

www.liconic.com

Adapter Plate
