

-20°C
+70°C

STX110

Automated
Incubator

- Integrated Plate Handling
- Stand-Alone or Bench-Top
- Heated or Cooled Versions



StoreX
Series

STX110

Stable and Precise Climate Conditions

The STX110 is the world's smallest carousel-based automated incubator. The STX110 slim 485 mm width minimizes the room required along a robotic line. Yet, keeping size constraints in mind, these units can be stacked to increase production needs.

The STX110 features LiCONiC's new Flush Gate and LiCONiC's new speed-optimized handling. The Flush Gate simplifies integration by omitting any obstacle in the Gate area.

Climate Options

Type	Temperature	Humidity	Description	Order Nr. Stand Alone	Order Nr. Bench Top
STX110-IC	6) 33..50°C 5) 33..70°C	max. 95% 7) 70..95%	Incubator	9131 00 00	9131 05 03
STX110-HC 1)	04..25°C	max. 90%	Humid Cooler	9131 05 00	9131 05 04
STX110-DC2 1)3)	04..25°C	04..50%	Dry Storage	9131 05 25	9131 05 26
STX110-HR 1)	04..50°C 5) 04..70°C	85..95% 7) 70..95%	Humid Wide Range	9131 05 01	9131 05 05
STX110-DR2 1) 3)	04..50°C 04..70°C	02..50%	Dry Wide Range	9131 05 07	9131 05 08
STX110-AR 1) 2)	04..50°C 04..70°C	15..95%	Humidity Controlled	9131 05 12	9131 05 15
STX110-DF 1) 4)	4) -20..0°C	02..45%	Deep Freezer	9131 05 14	9131 05 19
STX110-NC	-	-	No Climate	9131 05 28	9131 05 29
STX110-DH	5) 04..50°C 04..70°C	2..30% 70..95%	Dry Humid	9131 04 37	9132 04 38

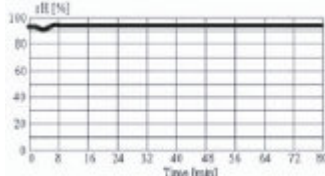
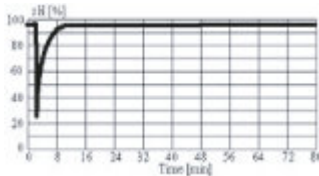
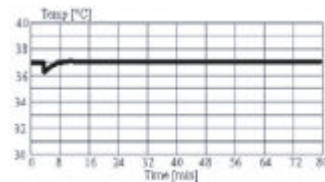
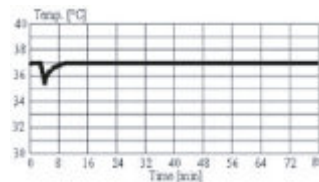
1) Humidity depends on temperature setting
2) Humidity Adjustable
3) Adjustable dehumidification
4) up to +20°C on request

5) High Temp Option
6) No active cooling. Min temperature is Ambient 8°C
7) Steam Generator Option

Access

Through the full-sized user door

Through the small robotic gate



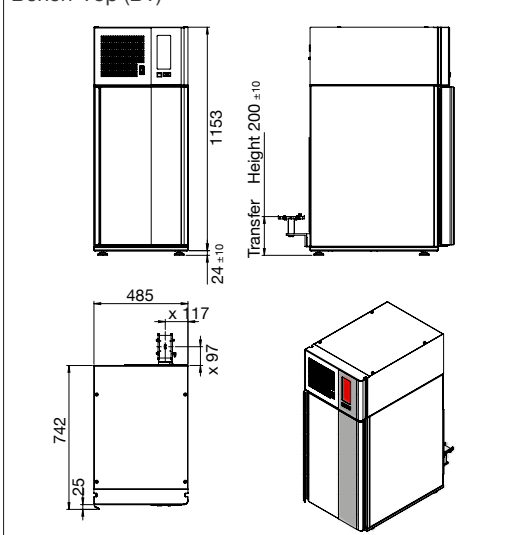
Options

Options	Order Nr.	Options	Order Nr.
High temperature 70°C capability	9122 06 02	Fast CO2	9118 11 12
Bar Code Reader Option	9118 11 03	Fast N2	9118 11 13
Plate Presence Sensor	9121 00 62	Fast O2	9118 11 14
iMotion access speeds for time critical applications	9118 35 71	Additional CO2	9118 11 07
Plate overheight feature 60-160mm	9131 05 40	Additional N2	9118 11 11
Plate overweight kit 300-800g	9118 13 83	Additional O2	9118 11 08
N-Way Decontamination	9131 04 32		
Liconel self decontaminating incubator chamber	9131 05 11		
Linear Shaker, Amplitude 1-100mm, 12-300 rpm	9131 00 18		
Steam Injection	9118 11 16		
Side Gate (left side wall, seen from front)	9131 05 20		
Mirrored Gate Location, on back wall (MR)	9131 05 30		

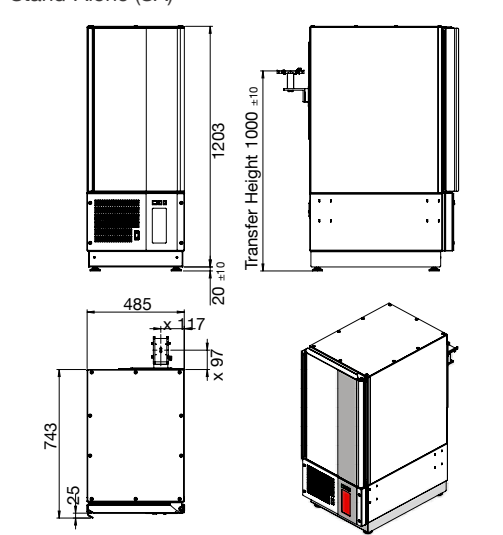
Like all members of the StoreX family the STX 110 can be equipped with various types of further options and a wide selection of useful accessories.

Dimensions

Bench-Top (BT)



Stand-Alone (SA)



Integration:

The STX110 instruments are available for integration with the instrument placed on the table surface (BenchTop BT) or for integration with the instrument standing on the floor (StandAlone SA). The combination of a StandAlone configuration with a Bench-Top allow these units to be stacked.

Capacity

Plate Type	Plate Height	Plate capacity of unit
NTP	5 mm	210
	11 mm	140
	12 mm	135
	17 mm	110
	22 mm	85
1536	23 mm	85
	24 mm	85
MTP	27 mm	75
	44 mm	50
DWP	53 mm	40
	66 mm	35
DITi200*	66 mm	35
DITi1000*	104 mm	20

*Overheight kit required for plate height > 60mm.

