

-20°C
+70°C

STX1000

Automated
Incubator

- More Integration Flexibility
- Higher Access Speed
- 16-Bit Digital Climate Control



StoreX
Series

STX1000

Stable and Precise Climate Conditions

The STX1000 has improved capacity, configurable up to 1080 MTP with implemented Flush Gate. The newly developed handling with higher speeds and flush gate enhances the overall performance of the unit.

The Flush Gate simplifies integration by omitting any obstacle in the Gate area.

Climate Options

| Type | Temperature | Humidity | Description | Order Nr. Bench Top |
|--------------------|----------------------------|------------------------|---------------------|---------------------|
| STX44-IC | 6) 33..50°C 5) 33..70°C | 7) max. 95% 70..95% | Incubator | 9136 11 53 |
| STX44-HC 1) | 04..25°C | max. 90% | Humid Cooler | 9136 11 54 |
| STX44-DC2 1)3) | 04..25°C | 04..50% | Dry Storage | 9136 11 55 |
| STX44-HR 1) | 04..50°C 04..70°C | 85..95% 70..95% | Humid Wide Range | 9136 11 56 |
| STX44-DR2 1) 3) | 04..50°C 04..70°C | 02..50% | Dry Wide Range | 9136 11 58 |
| STX44-AR 1) 2) | 04..50°C 04..70°C | 15..95% | Humidity Controlled | 9136 11 57 |
| STX44-DF 1) | 4) -20..0°C | 02..45% | Deep Freezer | 9136 11 60 |
| STX44-NC | - | - | No Climate | 9136 11 59 |
| STX44-DH 5) | 04..50°C 04..70°C | 2..30% 70..95% | Dry Humid | 9136 15 69 |

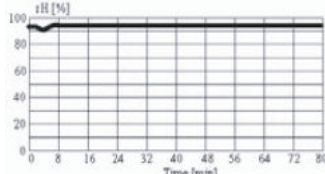
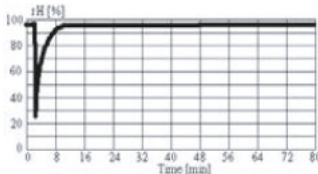
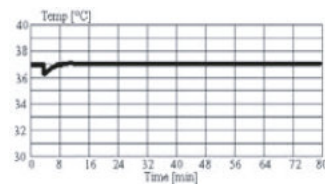
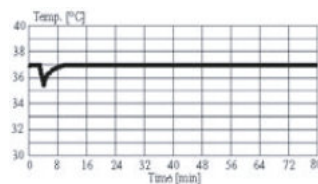
1) Humidity depends on temperature setting
2) Humidity Adjustable
3) Adjustable dehumidification
4) up to +20°C on request

5) High Temp Option
6) No active cooling. Min temperature is Ambient 8°C
7) Steam Generator Option

Access

Through the full-sized user door

Through the small robotic gate

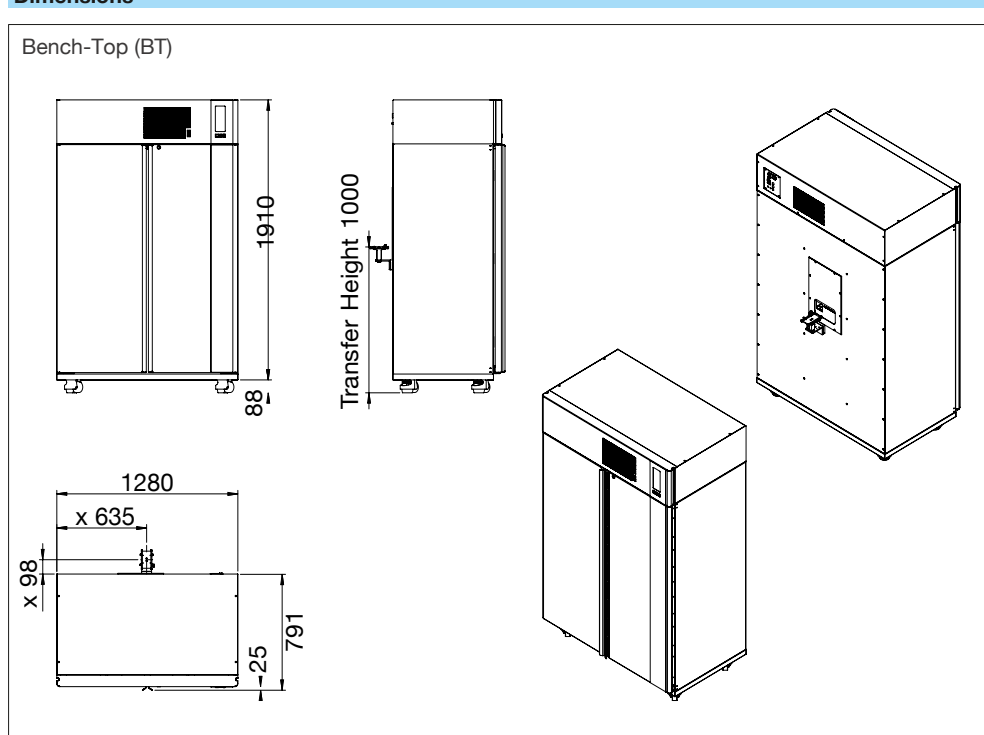


Options

| | Order Nr. | Gassing Option | Order Nr. |
|---|------------|----------------|------------|
| High temperature 70°C capability | 9122 06 06 | Fast CO2 | 9118 11 12 |
| Bar Code Reader Option | 9118 11 03 | Fast N2 | 9118 11 13 |
| Plate Presence Sensor | 9121 00 62 | Fast O2 | 9118 11 14 |
| Plate overweight kit 300-800g | 9118 13 83 | Additional CO2 | 9118 11 07 |
| iMotion access speeds for critical applications | 9118 35 72 | Additional N2 | 9118 11 11 |
| N-Way Decontamination | 9122 05 28 | Additional O2 | 9118 11 08 |
| Liconel self decontaminating incubator chamber | 9122 05 25 | | |
| Bilevel Carousel Option | 9136 05 04 | | |
| Steam Injection | 9118 11 16 | | |
| Plate overweight feature, 60-160mm | 9136 09 65 | | |

Like all members of the StoreX family the STX 500 can be equipped with various types of further options and a wide selection of useful accessories.

Dimensions



Capacity

| Plate Type | Plate Height | Bi-Level Carousel | Single level carousel |
|------------|--------------|-------------------|-----------------------|
| NTP | 5 mm | 2060 | 2260 |
| | 11 mm | 1360 | 1480 |
| 1536 | 12 mm | 1260 | 1380 |
| | 17 mm | 1000 | 1080 |
| MTP | 22 mm | 820 | 880 |
| | 23 mm | 780 | 860 |
| | 24 mm | 760 | 820 |
| | 27 mm | 680 | 740 |
| | 44 mm | 460 | 500 |
| DWP | 53 mm | 360 | 420 |
| | 66 mm | 320 | 340 |
| DiTi200 | 66 mm | 320 | 340 |
| DiTi1000 | 104 mm | 200 | 220 |

*Overheight kit required for plate height > 60mm.



www.liconic.com

Europe & International: LiCONiC AG, Liechtenstein
UK & Nordic: LiCONiC UK Ltd, Manchester
US & Asia: LiCONiC Inc, North Reading, MA
© LiCONiC AG, 10.2024