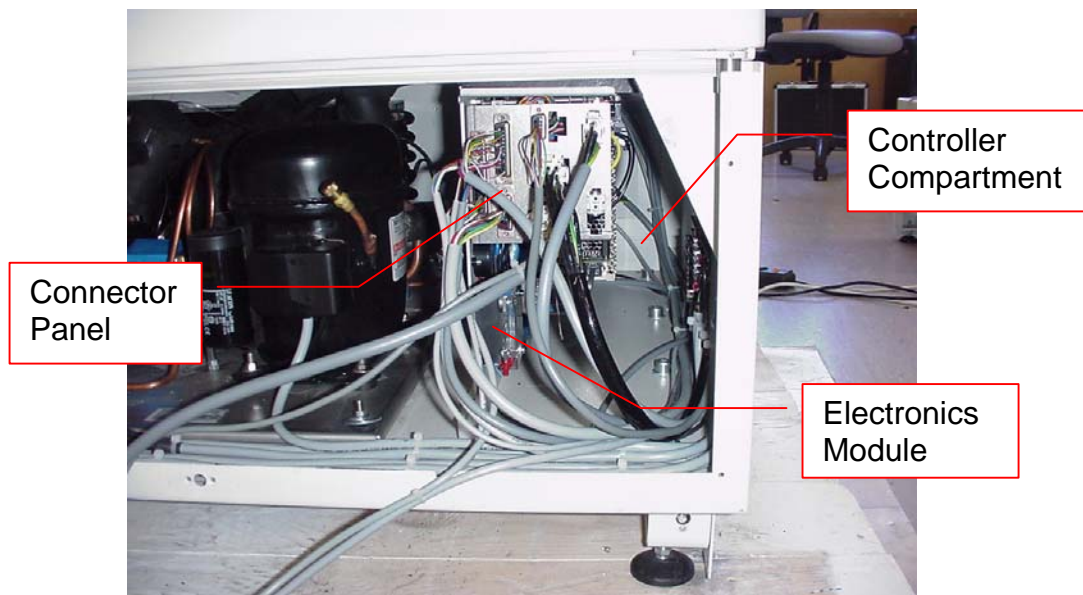


Title:	Diagnosis Electronics Removal Module			ID:
				0079
Date in:	Response:	Model:	Author:	
2004-10-11	2004-10-11	-	CMa	

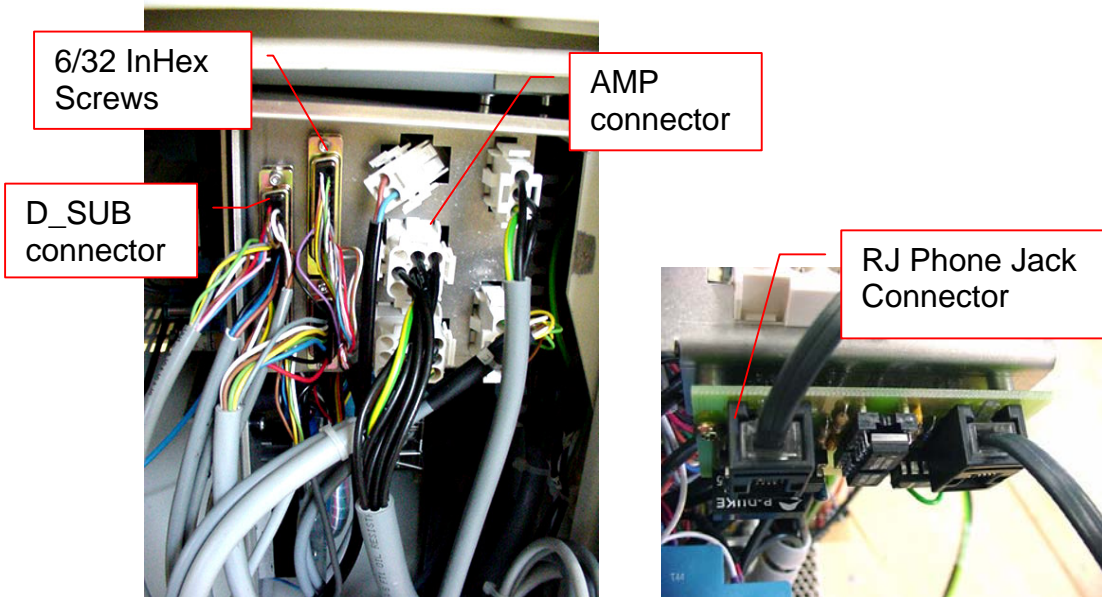
## Diagnosis Electronics Removal of Electronics Module

The entire Controller Electronics is mounted on a single Electronics Module. For diagnosis the Electronics Module may be removed and operated externally.

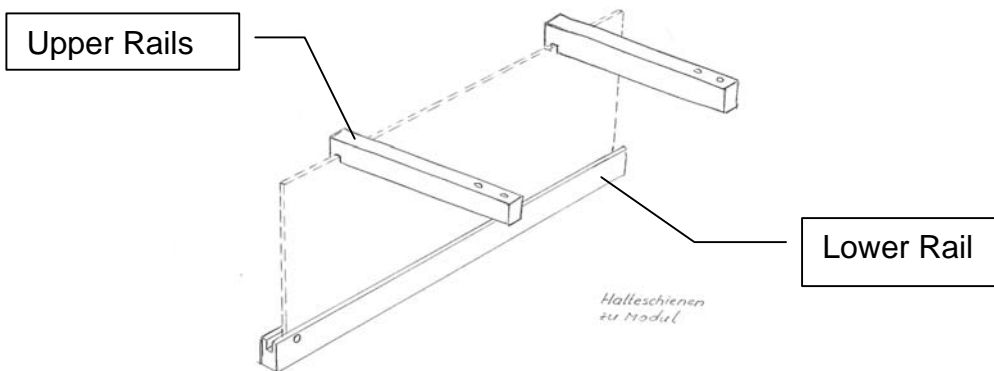
**Beware of hazerious voltages! Secure and danger mark workspace while front panel is open!**



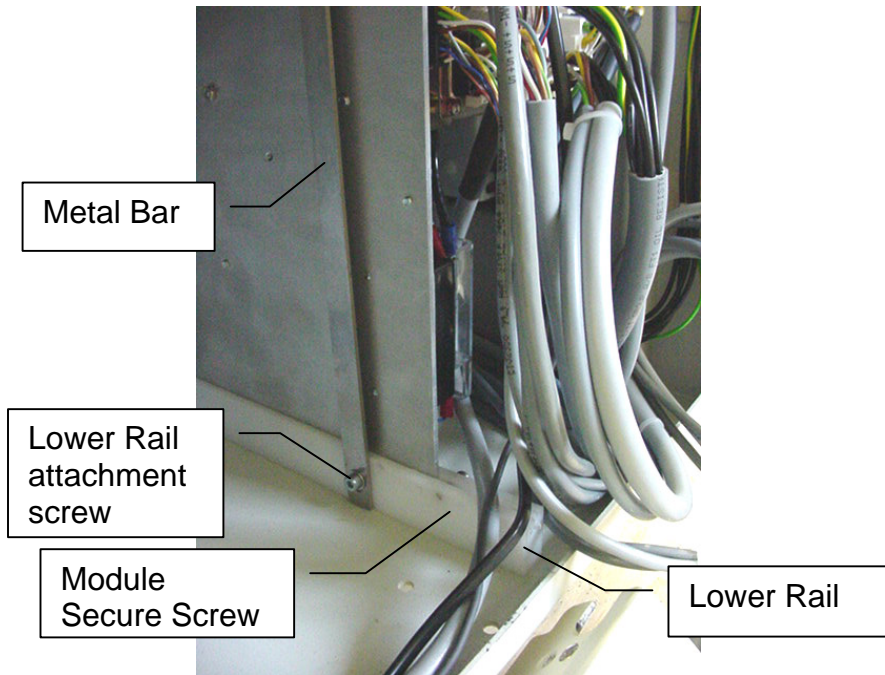
The Electronics Module is located in the Controller Compartment.



D-SUB connector type and AMP connectors are located on the Connector Panel. All connectors must be removed. One RJ-Phone Jack connector for the serial communication is located on the Electronics Module. Do not forget to remove this connector.



By three rails the Electronic Module is held in place. Two metal bars are attached between the lower and upper rails.



Remove lower rail attachment screws and rotated metal bars aside. Remove Module Secure Screw.



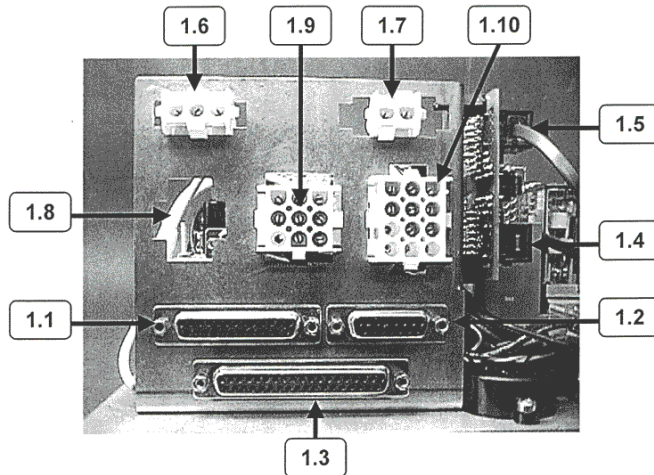
Connector Panel with all connectors disconnected and Electronics Module removed



StX 40/200

**Stecker Übersicht**

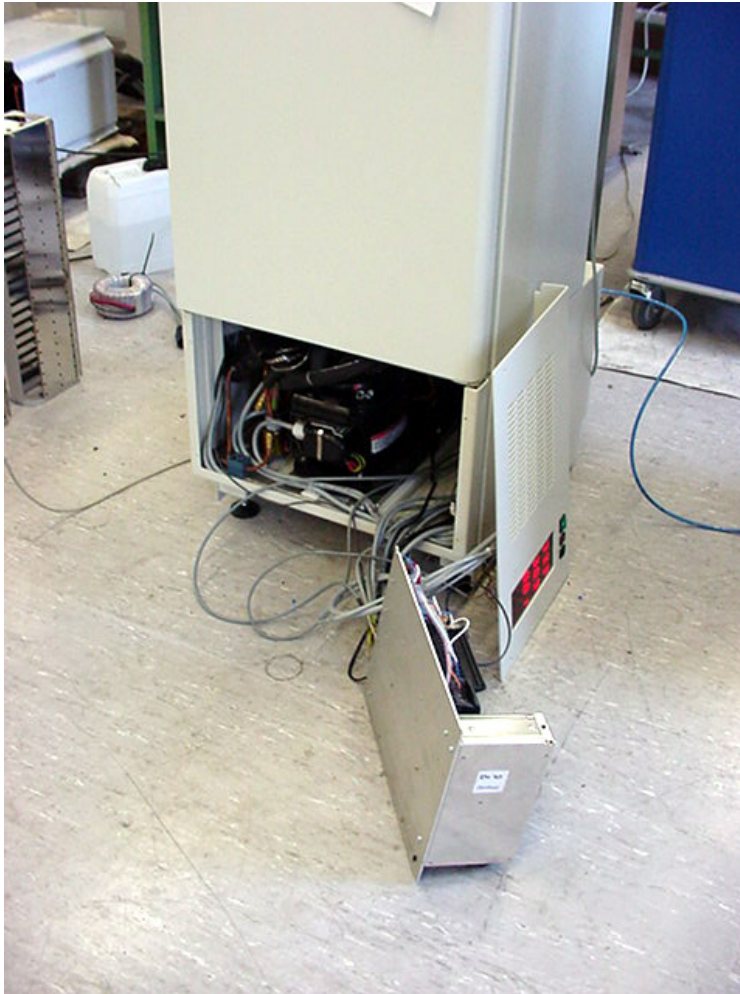
Modul 1.xx – Externe Anschlüsse



Steckerbezeichnung			
1.1	Handler, Drehteller	1.6	Netz
1.2	Gate	1.7	CO2 – Netz
1.3	Sensoren und Erweiterungen	1.8	NC
1.4	PROJECT BCR	1.9	Heizung / Kompressor
1.5	RS 232	1.10	Frontplatte

Identification of Electronics Module connectors





Removed Electronics Module placed it in front of machine. The unit may be operated with the Electronics Module removed. Special care must be taken that cables and connectors are free. Secure workspace and mark area with Danger Sign.