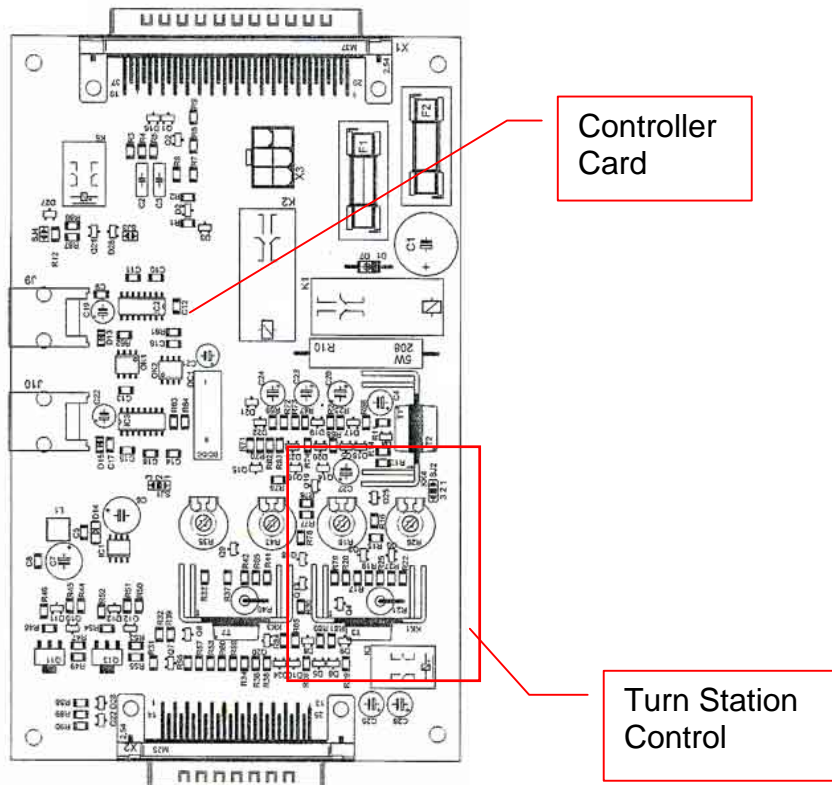


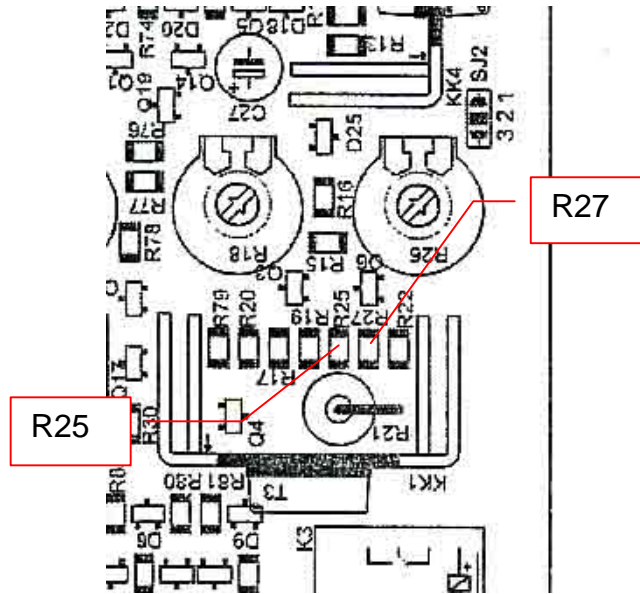
Title:	Adjustment of Slide Station Motion on Flask Incubator			ID:
				0004
Date in:	Response:	Model:	Author:	
2005-04-23	2005-04-23	STF130	CMa	

STX_Controller V2.1
Component placement specification



Jumper settings:

- | | | | | | |
|-----|-------|-------------|--------|-----|--------------------------|
| SJ1 | 1 - 2 | Fast intern | Shovel | SJ3 | Endschalter 1 invertiert |
| | 2 - 3 | Fast extern | Shovel | | |
| SJ2 | 1 - 3 | Fast intern | Turn | | |
| | 2 - 3 | Fast extern | Turn | | |



R25 and R27 are parallel.
The total resist value should be 330R. There should one resistor 330R only.