

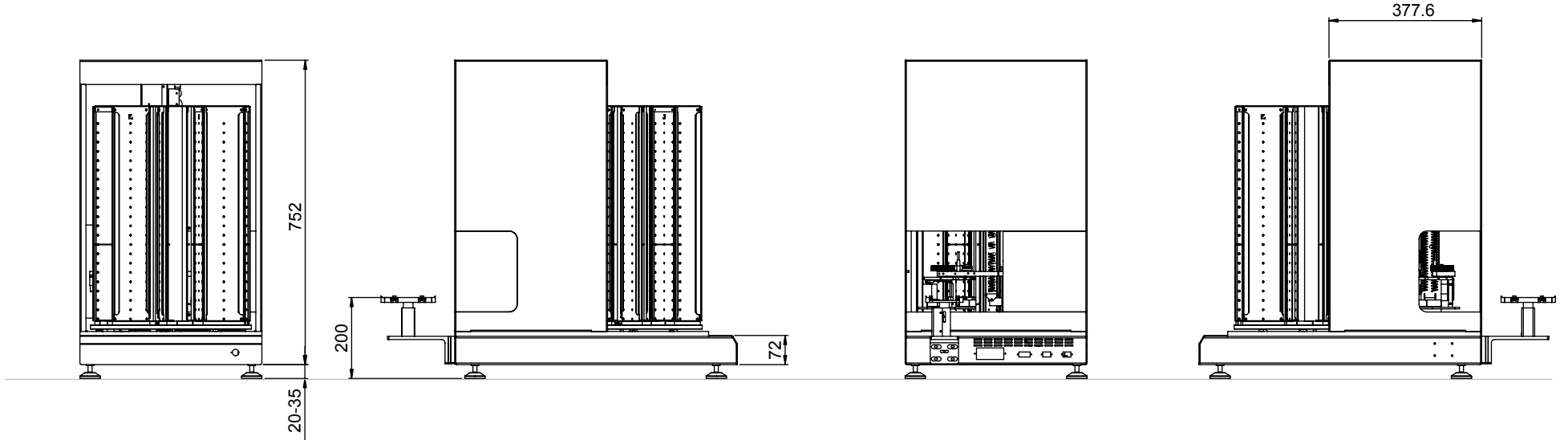
1 2 3 4 5 6

A

A

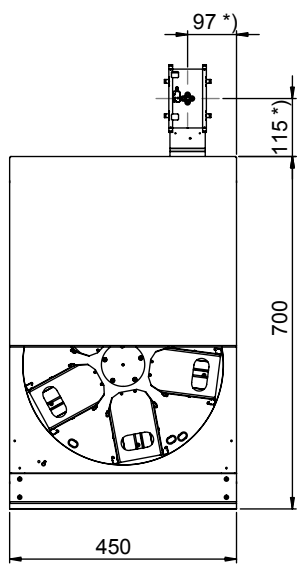
B

B

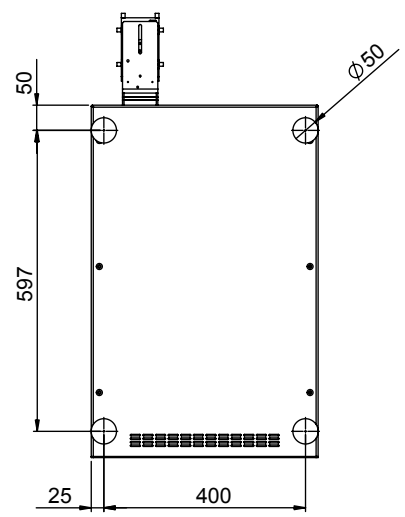


D

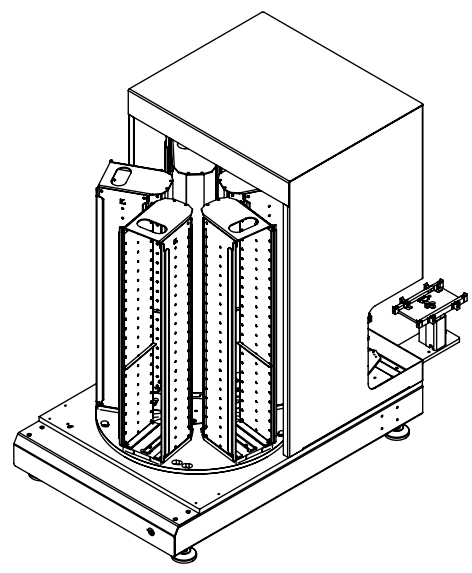
C



Top



Bottom



**Liconic AG**  
 LPX110 Housing  
 (Case C)

\*) value may vary depending on handling position within chamber