

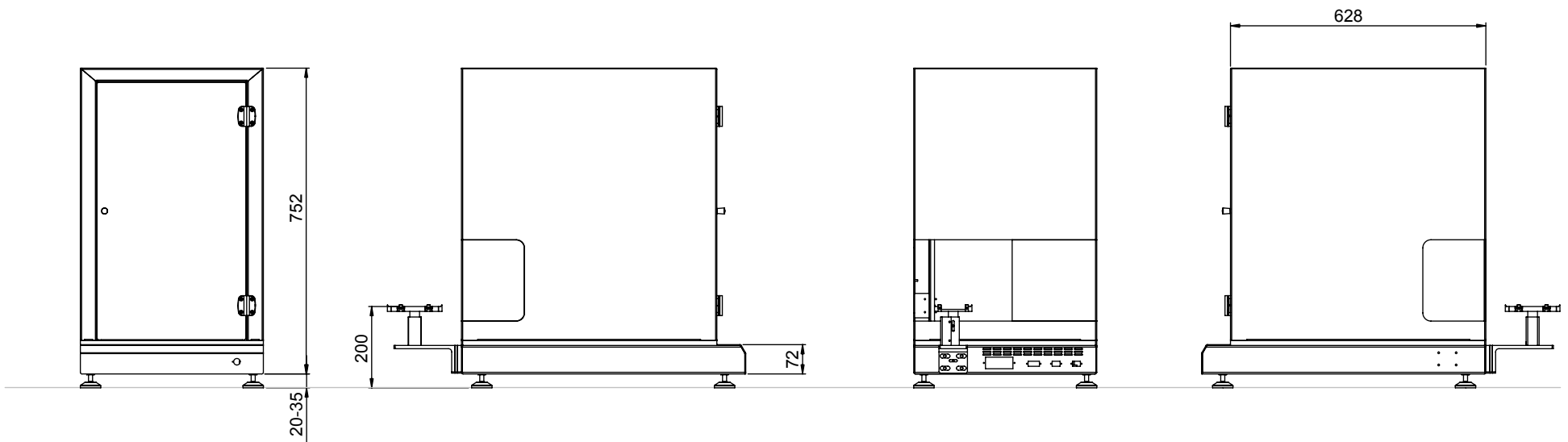
1 2 3 4 5 6

A

A

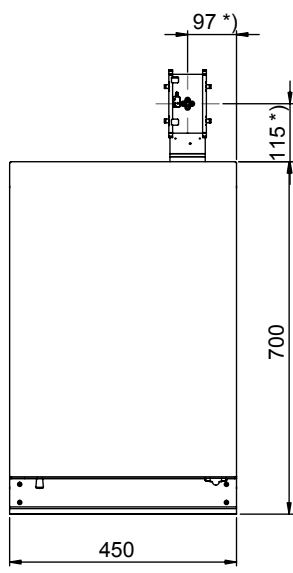
B

B

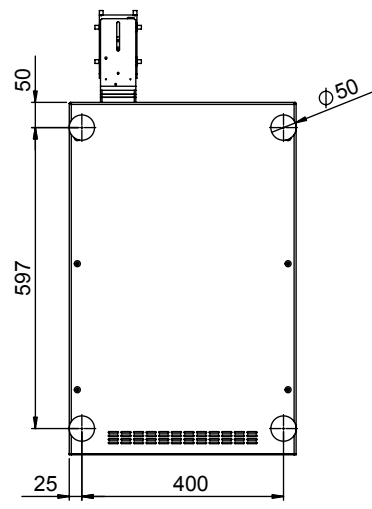


D

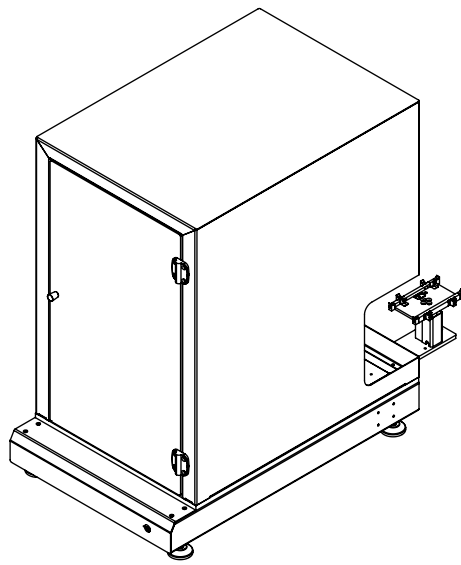
C



Top



Bottom



Liconic AG
 LPX110 Cover Protection
 (Case C)

*) value may vary depending on handling position within chamber

1